

Item description/product images



Description

Product description:

The thermoset star grip is distinguished by its closed grip contour. The contact surface of the protruding steel bush is vertical to the thread axis and ensures a firm screw connection.

Material:

Thermoset PF 31.
Steel grade 5.8 or stainless steel 1.4305.

Version:

Thermoset black, high-gloss polished.
Metal parts trivalent blue passivated steel or bright stainless steel.

Advantages:

Wear resistant contact surface
Closed grip contour

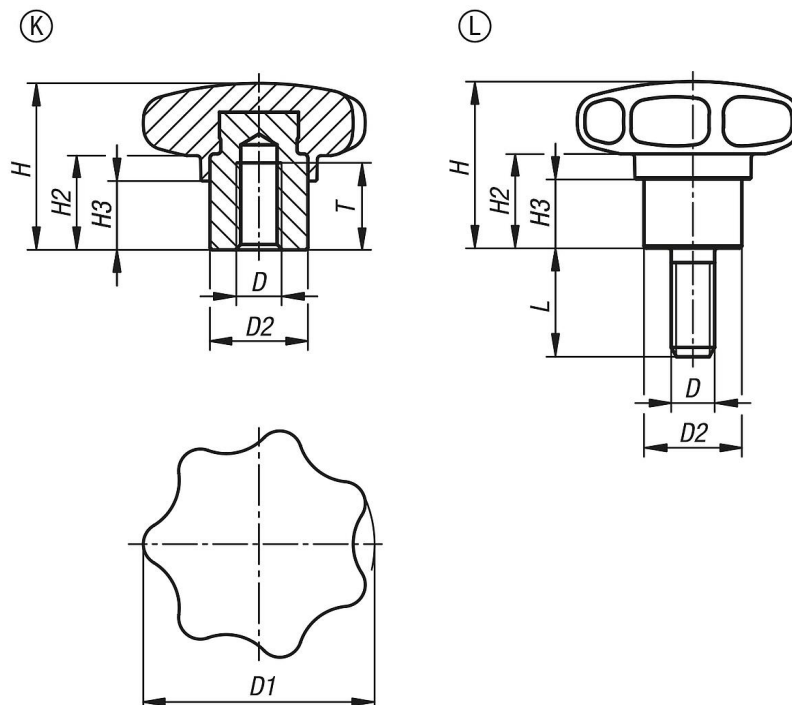
On request:

Form H: bush with blind hole

Drawing reference:

Form K: tapped bush
Form L: external thread

Drawings



Overview of items

Star grips plastic with protruding steel bush

Overview of items

Order No.	Component material	Form	D	D1	D2	H	H2	H3	L	T
06209-01-23206	steel	K	M6	32	13,5	23	13	9,5	-	12
06209-01-24006	steel	K	M6	40	13,5	25	13	10	-	12
06209-01-24008	steel	K	M8	40	13,5	25	13	10	-	12
06209-01-25008	steel	K	M8	50	19	32	17	12	-	17
06209-01-25010	steel	K	M10	50	19	32	17	12	-	17
06209-01-26310	steel	K	M10	63	19	40	20	15	-	17
06209-01-26312	steel	K	M12	63	19	40	20	15	-	17
06209-01-33206	stainless steel	K	M6	32	13,5	23	13	9,5	-	12
06209-01-34006	stainless steel	K	M6	40	13,5	25	13	10	-	12
06209-01-34008	stainless steel	K	M8	40	13,5	25	13	10	-	12
06209-01-35008	stainless steel	K	M8	50	19	32	17	12	-	17
06209-01-35010	stainless steel	K	M10	50	19	32	17	12	-	17
06209-01-36310	stainless steel	K	M10	63	19	40	20	15	-	17
06209-01-36312	stainless steel	K	M12	63	19	40	20	15	-	17
06209-01-43206X10	steel	L	M6	32	13,5	23	13	9,5	10	-
06209-01-43206X15	steel	L	M6	32	13,5	23	13	9,5	15	-
06209-01-43206X20	steel	L	M6	32	13,5	23	13	9,5	20	-
06209-01-43206X25	steel	L	M6	32	13,5	23	13	9,5	25	-
06209-01-43206X30	steel	L	M6	32	13,5	23	13	9,5	30	-
06209-01-44008X15	steel	L	M8	40	13,5	25	13	10	15	-
06209-01-44008X20	steel	L	M8	40	13,5	25	13	10	20	-
06209-01-44008X25	steel	L	M8	40	13,5	25	13	10	25	-
06209-01-44008X30	steel	L	M8	40	13,5	25	13	10	30	-
06209-01-44008X40	steel	L	M8	40	13,5	25	13	10	40	-
06209-01-44008X50	steel	L	M8	40	13,5	25	13	10	50	-
06209-01-45010X20	steel	L	M10	50	19	32	17	12	20	-
06209-01-45010X25	steel	L	M10	50	19	32	17	12	25	-
06209-01-45010X30	steel	L	M10	50	19	32	17	12	30	-
06209-01-45010X40	steel	L	M10	50	19	32	17	12	40	-
06209-01-45010X50	steel	L	M10	50	19	32	17	12	50	-
06209-01-45010X60	steel	L	M10	50	19	32	17	12	60	-
06209-01-46312X20	steel	L	M12	63	19	40	20	15	20	-
06209-01-46312X25	steel	L	M12	63	19	40	20	15	25	-
06209-01-46312X30	steel	L	M12	63	19	40	20	15	30	-
06209-01-46312X40	steel	L	M12	63	19	40	20	15	40	-
06209-01-46312X50	steel	L	M12	63	19	40	20	15	50	-
06209-01-46312X60	steel	L	M12	63	19	40	20	15	60	-
06209-01-53206X10	stainless steel	L	M6	32	13,5	23	13	9,5	10	-
06209-01-53206X15	stainless steel	L	M6	32	13,5	23	13	9,5	15	-
06209-01-53206X20	stainless steel	L	M6	32	13,5	23	13	9,5	20	-
06209-01-53206X25	stainless steel	L	M6	32	13,5	23	13	9,5	25	-
06209-01-53206X30	stainless steel	L	M6	32	13,5	23	13	9,5	30	-
06209-01-54008X15	stainless steel	L	M8	40	13,5	25	13	10	15	-
06209-01-54008X20	stainless steel	L	M8	40	13,5	25	13	10	20	-
06209-01-54008X25	stainless steel	L	M8	40	13,5	25	13	10	25	-
06209-01-54008X30	stainless steel	L	M8	40	13,5	25	13	10	30	-
06209-01-54008X40	stainless steel	L	M8	40	13,5	25	13	10	40	-
06209-01-54008X50	stainless steel	L	M8	40	13,5	25	13	10	50	-
06209-01-55010X20	stainless steel	L	M10	50	19	32	17	12	20	-
06209-01-55010X25	stainless steel	L	M10	50	19	32	17	12	25	-
06209-01-55010X30	stainless steel	L	M10	50	19	32	17	12	30	-
06209-01-55010X40	stainless steel	L	M10	50	19	32	17	12	40	-
06209-01-55010X50	stainless steel	L	M10	50	19	32	17	12	50	-
06209-01-55010X60	stainless steel	L	M10	50	19	32	17	12	60	-
06209-01-56312X20	stainless steel	L	M12	63	19	40	20	15	20	-
06209-01-56312X25	stainless steel	L	M12	63	19	40	20	15	25	-
06209-01-56312X30	stainless steel	L	M12	63	19	40	20	15	30	-
06209-01-56312X40	stainless steel	L	M12	63	19	40	20	15	40	-
06209-01-56312X50	stainless steel	L	M12	63	19	40	20	15	50	-
06209-01-56312X60	stainless steel	L	M12	63	19	40	20	15	60	-

