

Item description/product images



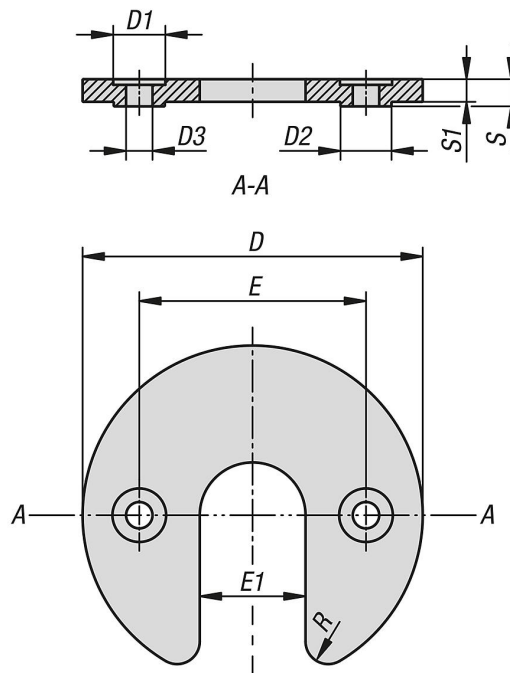
Description

**Material:**  
Steel or stainless steel.

**Version:**  
Steel electro zinc-plated.

**Note:**  
The spacer washers can be stacked together and subsequently installed.

Drawings



Overview of items

Order No.	Main material	D	D1	D2	D3	E	E1	S	S1	R
27710-30-00904	steel	90	13,8	13,5±0,1	5,5	60	28	5,2	4	6
27710-30-00906	steel	90	13,8	13,5±0,1	7	60	28	7,2	6	6
27710-30-10604	stainless steel	60	10	9,7	5	40	22	5,2	4	2,5