

Item description/product images



Description

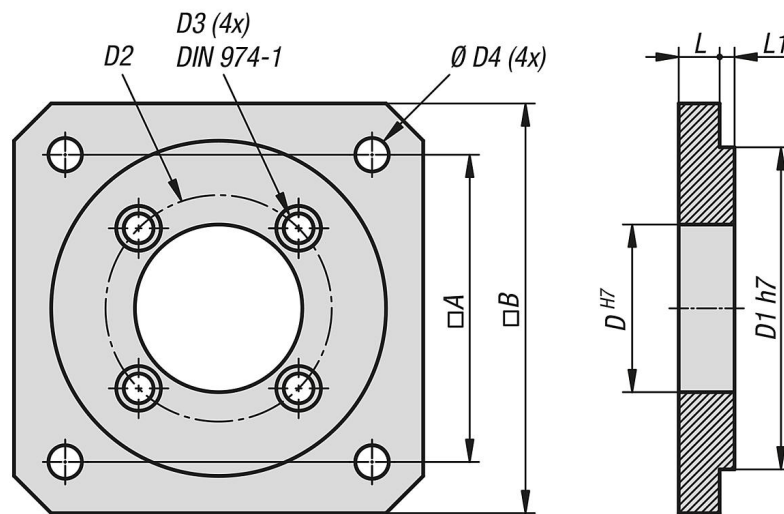
Material:
Aluminium.

Version:
Black anodised

Note:
These adapter plates are required for mounting the planetary gearing. They are installed between the planetary gearing and the motor adapter set.



Drawings



Overview of items

Order No.	Size	A	B	D	D1	D2	D3	D4	L	L1
20321-604710	60	47,14	60	25	38,1	33	4	4,5	8	1,6
20321-806960	80	69,6	90	40	73	52	5	6,6	8	1,6