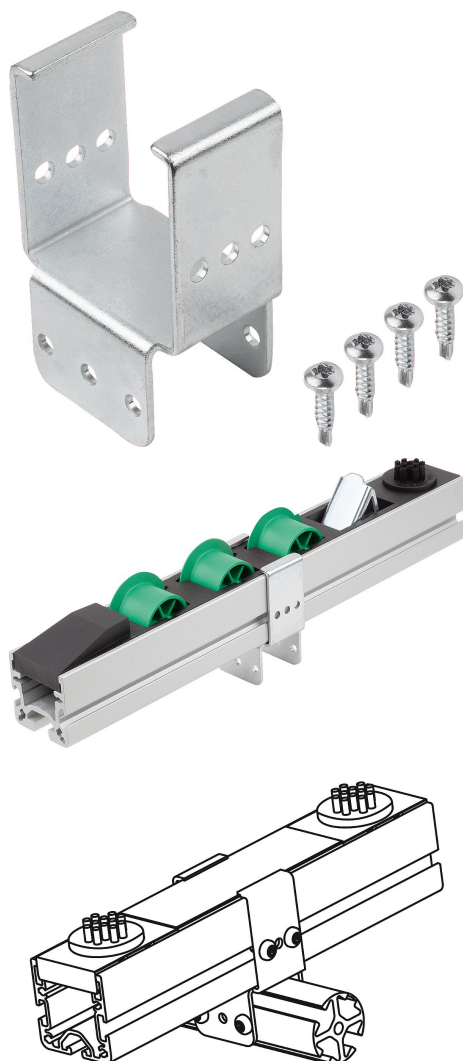


Item description/product images



Description

Material:

Steel.

Version:

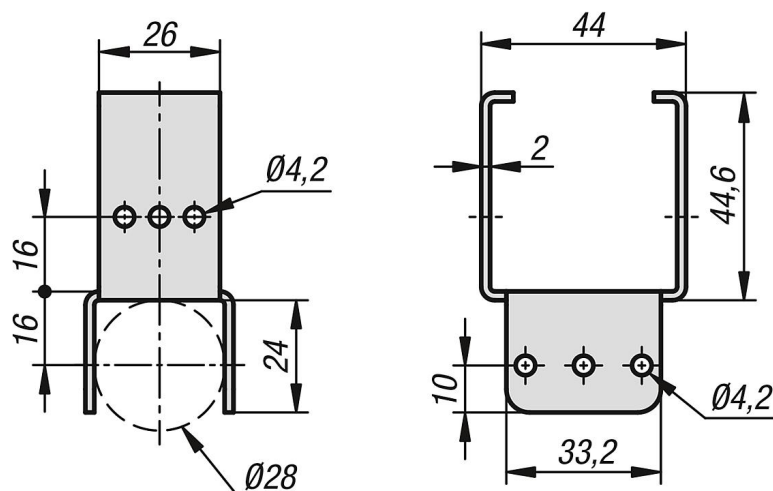
Electro zinc-plated.

Note:

The mounting bracket is used to mount roller rails and round tubes crosswise. They are also used to hang and support the profiles.

A fastening set is supplied.

Drawings



Overview of items

Order No.	Item
10448-52-4428	Mounting Bracket