

## Item description/product images



## Description

**Material:**

Housing, plastic.

Raceway, stainless steel 1.4034.

Balls, stainless steel 1.4125.

**Note:**

Precision linear ball bearings with low friction.

From size 21511-122202, the bearings are fitted with wipers on both sides.

Recommended tolerances:

Shaft: h6

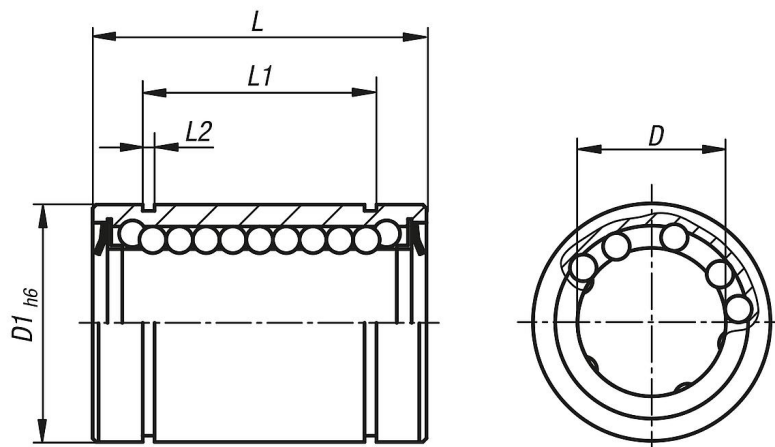
Housing: H6

The specified load ratings apply for hardened and ground shafts.

**Temperature range:**

-40 °C to +60 °C.

## Drawings



## Overview of items

Order No.	D	D1	L	L1	L2	Dynamic load rating N	Static load rating N
21511-030702	3	7	10	-	-	26	27
21511-040802	4	8	12	-	-	44	50
21511-051002	5	10	15	-	-	72	84
21511-061202	6	12	19	-	-	114	132
21511-081502	8	15	24	23	1,1	167	204
21511-101702	10	17	26	25	1,1	186	234
21511-121902	12	19	28	26,4	1,3	202	257
21511-122202	12	22	32	22,6	1,3	310	352
21511-162602	16	26	36	24,6	1,3	372	440
21511-203202	20	32	45	31,2	1,6	591	689
21511-254002	25	40	58	43,7	1,85	1162	1332

