

## Item description/product images



## Description

**Material:**

Elastomer NBR.  
Brace ring steel.

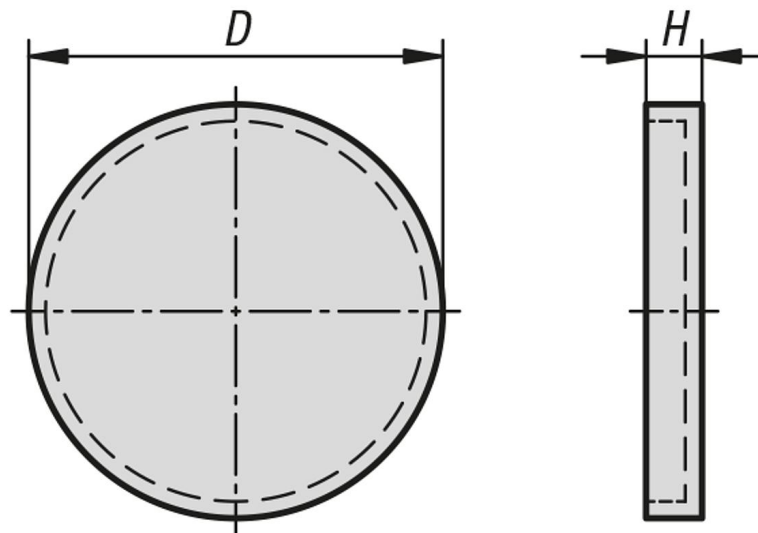
**Version:**

Hardness Shore 70–75A, black.

**Note:**

The open sides of hollow shafts on bearing housings that are not required can be sealed using this protective cap.

## Drawings



## Overview of items

Order No.	Size	D	H
20300-91060	60	37	5
20300-91080	80	55	4,3