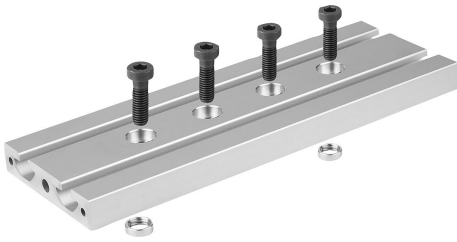


Item description/product images



Description

Material:

Table aluminium.
Centring rings 1.4301 stainless steel.
Screws steel.

Version:

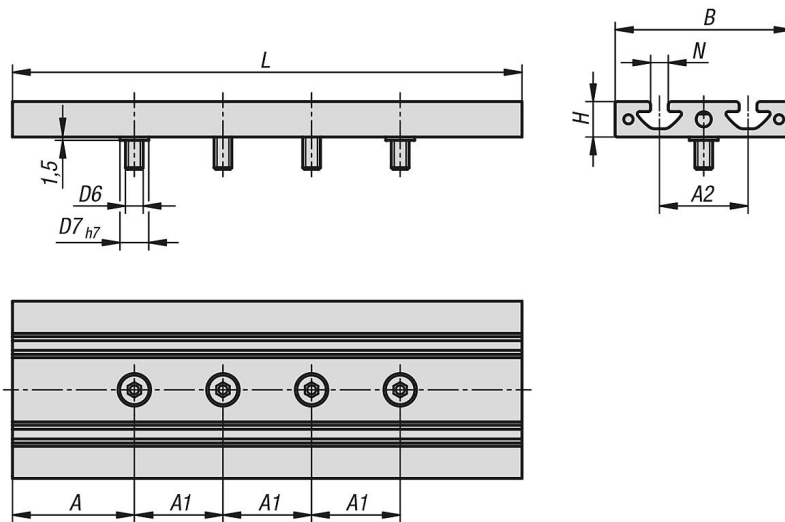
Table natural tone anodised
Screws, bright.

Note:

An additional centring hole is located on each tapped hole on the underside of the table, this enables the table to be precisely mounted on a linear guide slide using the centring rings.

The profile slots on the upper side enable universal mounting possibilities.

Drawings



Overview of items

Order No.	Size	Type	Slot width	A	A1	A2	B	D6	D7	H	L	N
20310-06174	60	I	6	42	30	30	60	M6	10	12	174	6
20310-08230	80	I	8	55	40	40	80	M8	13	16	230	8