

Item description/product images



Description

Material:

Housing steel.

Magnetic core SmCo (samarium cobalt).

Version:

Housing, electro zinc-plated.

Note:

Shallow pot magnets, shielded system. Magnets with an SmCo core have three to five times the attracting force of AlNiCo or hard ferrite magnets.

Temperature range:

max. 280°C.

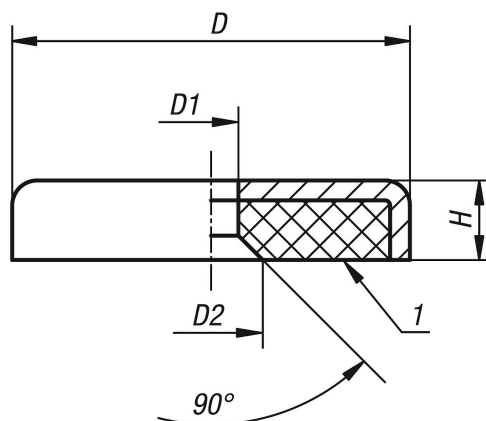
Assembly:

The magnets can be mounted by press-fit, screwing-in or gluing.

Drawing reference:

1) magnetic face

Drawings



Overview of items

Order No.	D	D1	D2	H	Magnetic force N
09071-20-16	16±0,15	3,5	6,6	4,5	57
09071-20-20	20±0,15	4,5	9,3	6	81
09071-20-25	25±0,15	4,5	9,2	7	105
09071-20-32	32±0,2	5,5	11,5	7	235
09071-20-40	40±0,2	5,5	11,5	8	540

