

## Item description/product images



## Description

**Material:**

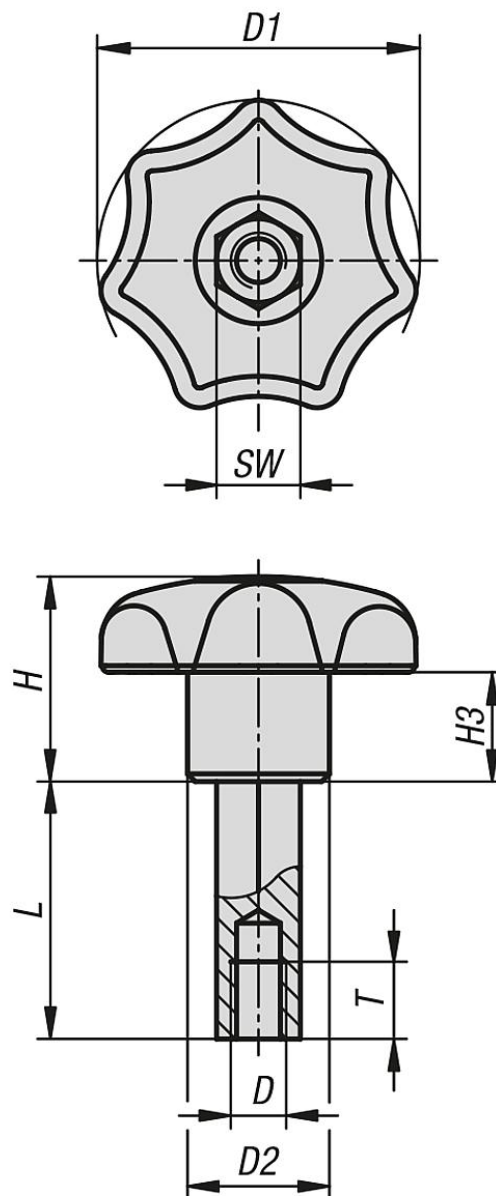
Thermoplastic, black.

Extension piece, free-cutting steel .

**Version:**

Extension piece, trivalent blue passivated.

## Drawings



## Overview of items

Order No.	D	D1	D2	H	H3	L	SW	T
06211-320508020	M5	32	14	20	10	20	8	8
06211-320508025	M5	32	14	20	10	25	8	8

## Overview of items

Order No.	D	D1	D2	H	H3	L	SW	T
06211-320508030	M5	32	14	20	10	30	8	8
06211-400610020	M6	40	18	25	13	20	10	9
06211-400610025	M6	40	18	25	13	25	10	9
06211-400610030	M6	40	18	25	13	30	10	9
06211-400610040	M6	40	18	25	13	40	10	9
06211-400610050	M6	40	18	25	13	50	10	9
06211-500813020	M8	50	22	32	17	20	13	12
06211-500813025	M8	50	22	32	17	25	13	12
06211-500813030	M8	50	22	32	17	30	13	12
06211-500813040	M8	50	22	32	17	40	13	12
06211-500813050	M8	50	22	32	17	50	13	12
06211-500813080	M8	50	22	32	17	80	13	12
06211-631016025	M10	63	26	40	21	25	16	15
06211-631016030	M10	63	26	40	21	30	16	15
06211-631016040	M10	63	26	40	21	40	16	15
06211-631016050	M10	63	26	40	21	50	16	15
06211-631016080	M10	63	26	40	21	80	16	15
06211-631016100	M10	63	26	40	21	100	16	15