

Item description/product images



Description

Material:

Ceramic bearings Si3N4.
Bearing cage PTFE.

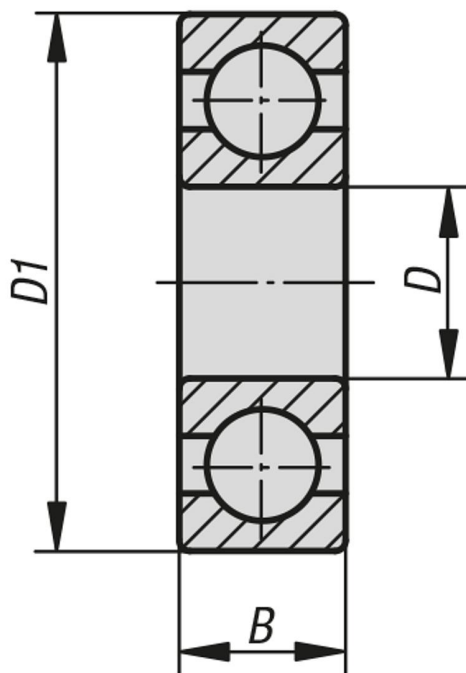
Version:

Natural, black.

Note:

For most applications Si3N4 is the preferred material for ceramic bearings. Silicon nitride bearings are light, very hard and highly wear resistant. High and ultra-high performance bearings are used in e.g. aerospace technology, metal production industries (high application temperatures), machine manufacturing, chemical industries (chemically aggressive substances), pharmaceutical and medical industries, semiconductor and biotechnology (clean room environments which may not be contaminated by lubricants).

Drawings



Overview of items

Order No.	B	D	D1	Dynamic load rating N	Static load rating N	Speed limit rpm
23800-04-00802207	7	8	22	2300	1100	41000
23800-04-01002608	8	10	26	3300	1600	34000
23800-04-01202808	8	12	28	3600	1900	32000
23800-04-01503209	9	15	32	4000	2300	27000
23800-04-01703510	10	17	35	4300	2600	23000
23800-04-02004212	12	20	42	6700	4100	20000
23800-04-02504712	12	25	47	7200	4800	17000
23800-04-03005513	13	30	55	9400	9400	14000

