

Item description/product images



Description

Material:
Polyamide.
O-ring FPM 70.

Version:
Black.

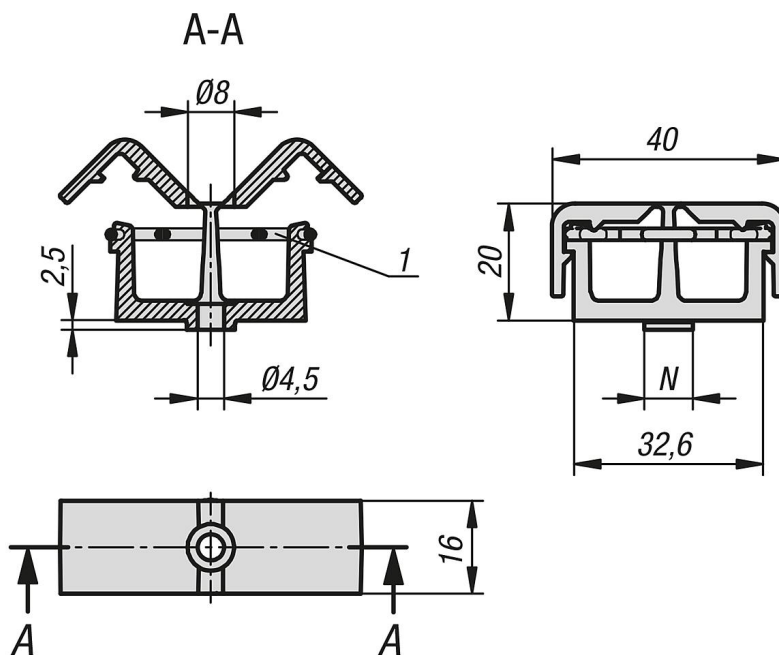
Note:
The cable clip is a fastening component for cables and hoses with a diameter of up to 12 mm.

Can be mounted on panel elements or aluminium profiles (8 or 10 mm slots) with a cap screw or pan head screw and a slot key. The cables are held in place by the stretched O-ring.

With two separate channels.

Drawing reference:
1) O-ring

Drawings



Overview of items

Order No.	Slot width	N
10453-00	-	-
10453-08	8	8
10453-10	10	10

