

## Item description/product images



## Description

## Material:

Thermoset PF 31, black.

Screw, steel.

Tapped bush, steel or brass.

## Version:

Screw, electro zinc-plated.

Tapped bush, electro zinc-plated or bright brass.

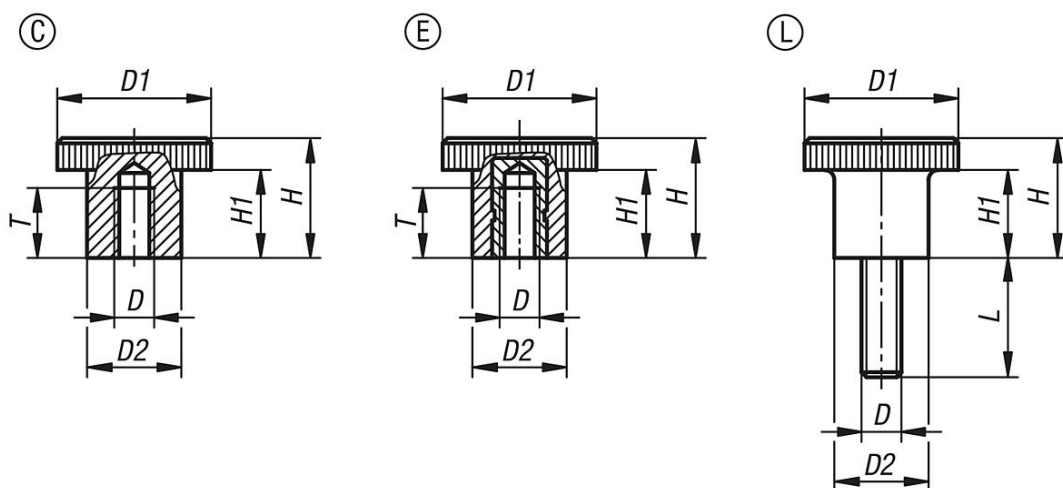
## Drawing reference:

Form C: tapped blind hole

Form E: tapped bush

Form L: external thread

## Drawings



## Overview of items

Order No.	Form	Component material	D	D1	D2	H	H1	L	T
06097-102206	C	plastic	M6	22	12	13	6	-	7,5
06097-102606	C	plastic	M6	26	17	20	14	-	9
06097-212205	E	brass	M5	22	12	13	6	-	6
06097-202606	E	steel	M6	26	17	20	14	-	10
06097-202608	E	steel	M8	26	17	20	14	-	12
06097-302606X10	L	steel	M6	26	15	13	6	10	-
06097-302205X15	L	steel	M5	22	12	13	6	15	-
06097-302205X20	L	steel	M5	22	12	13	6	20	-
06097-302206X20	L	steel	M6	22	12	13	6	20	-
06097-302608X20	L	steel	M8	26	15	13	6	20	-
06097-302606X30	L	steel	M6	26	15	13	6	30	-
06097-302206X15	L	steel	M6	22	12	13	6	15	-
06097-302606X20	L	steel	M6	26	15	13	6	20	-
06097-302606X15	L	steel	M6	26	15	13	6	15	-
06097-302205X10	L	steel	M5	22	12	13	6	10	-
06097-302206X30	L	steel	M6	22	12	13	6	30	-
06097-302206X10	L	steel	M6	22	12	13	6	10	-
06097-302608X15	L	steel	M8	26	15	13	6	15	-
06097-302608X30	L	steel	M8	26	15	13	6	30	-

