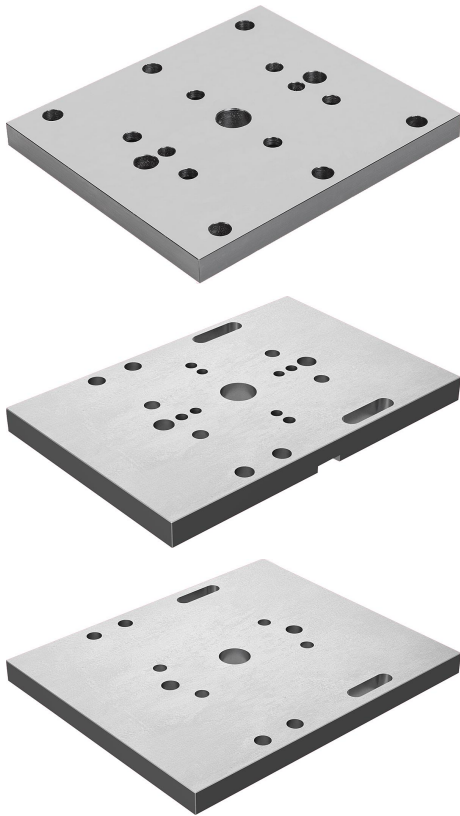


Item description/product images

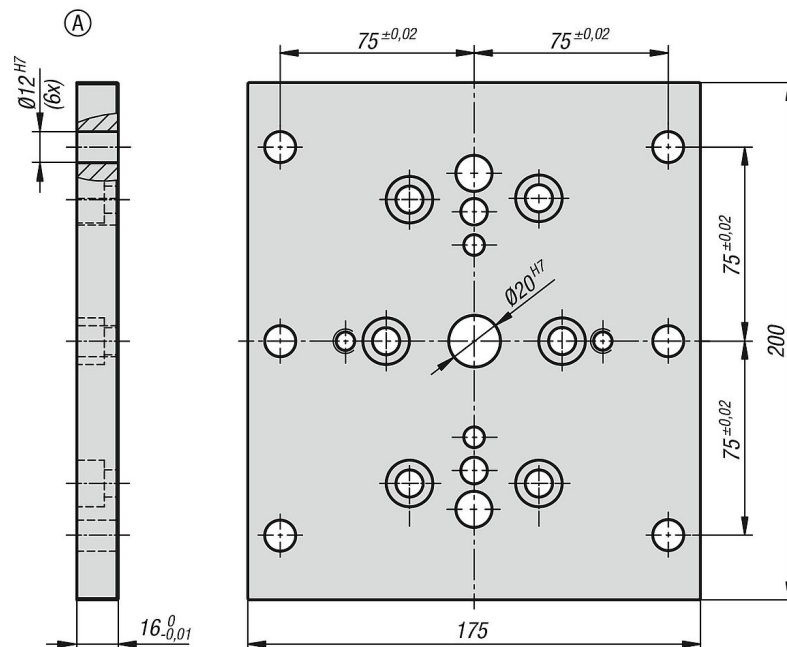


Description

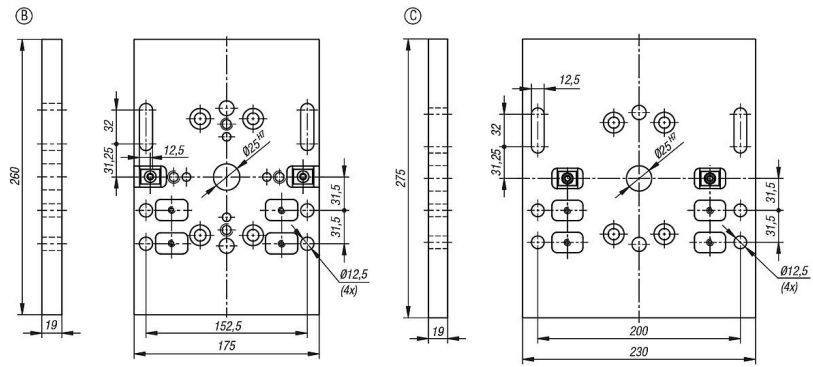
Material:
Steel.

Version:
Hardened and ground.

Drawings



Drawings



Overview of items

| Order No. | Form | Suitable for | weight kg |
|----------------|------|--------------------------|-----------|
| 41104-12175200 | A | centric vice 65, 80, 125 | 4,03 |
| 41104-00175260 | B | centric vice 65, 80 | 6,3 |
| 41104-00230275 | C | centric vice 125 | 7,5 |