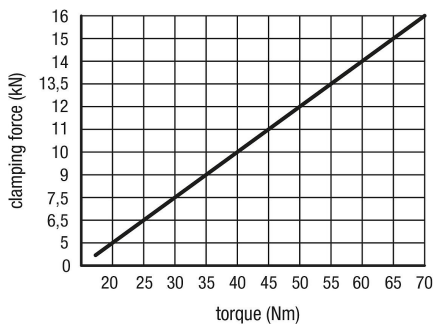


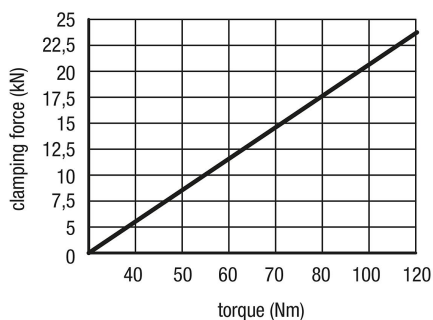
Item description/product images



B = 80 mm



B = 125 mm



Description

Material:

Body and jaw holder mild steel.
Spindle high-strength special steel.

Version:

Body and jaw holder hardened and ground.

Note for ordering:

Supplied with hexagon crank handle.
Order jaw plates separately.

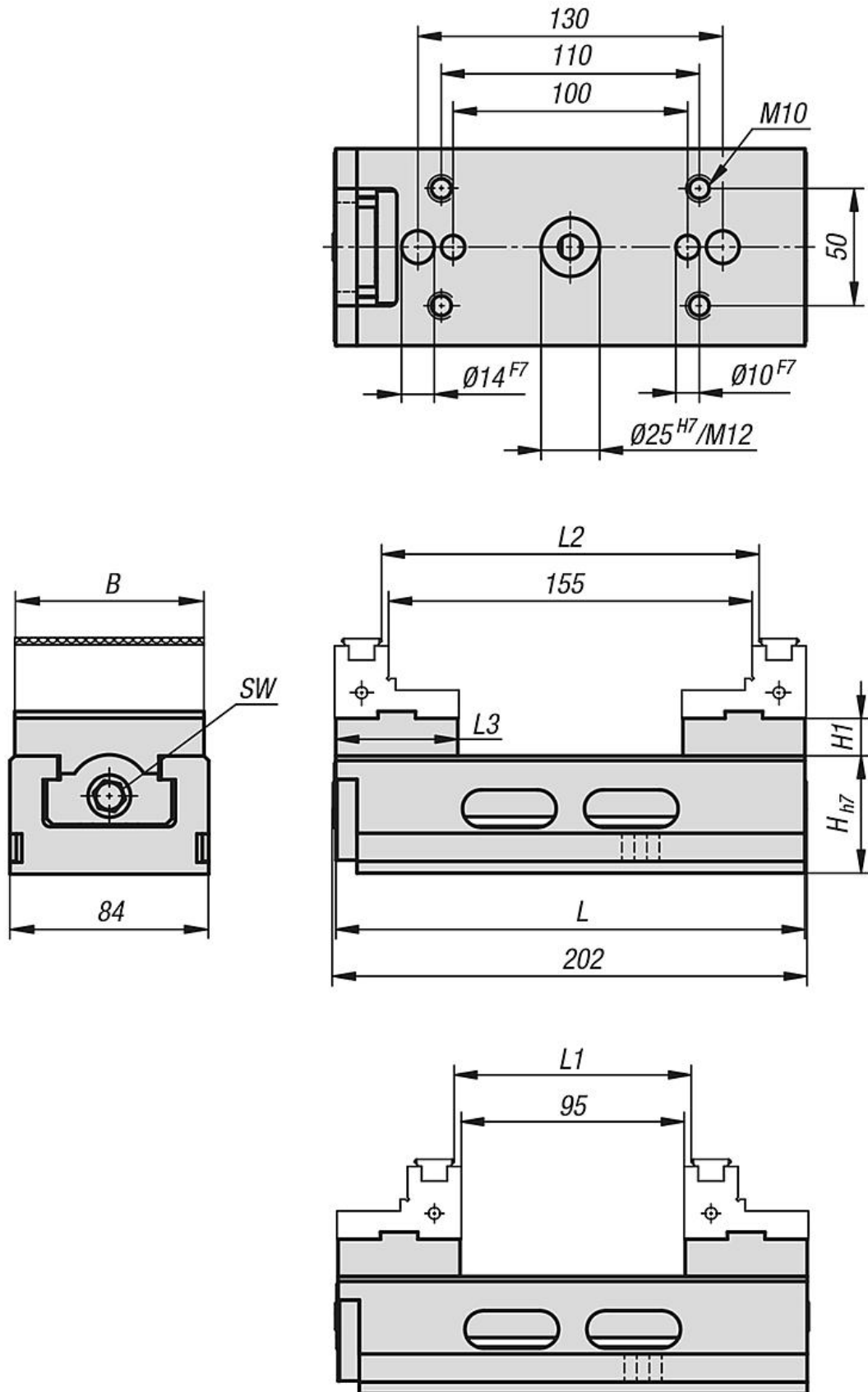
Note:

Mechanically operated centric vice.
Suitable for automation: prepared with gripper slot for handling systems.
Flexible mounting: suitable for zero-point systems, mounting on machine tables or on custom systems via a baseplate.
Centring precision: +/- 0.02 mm.

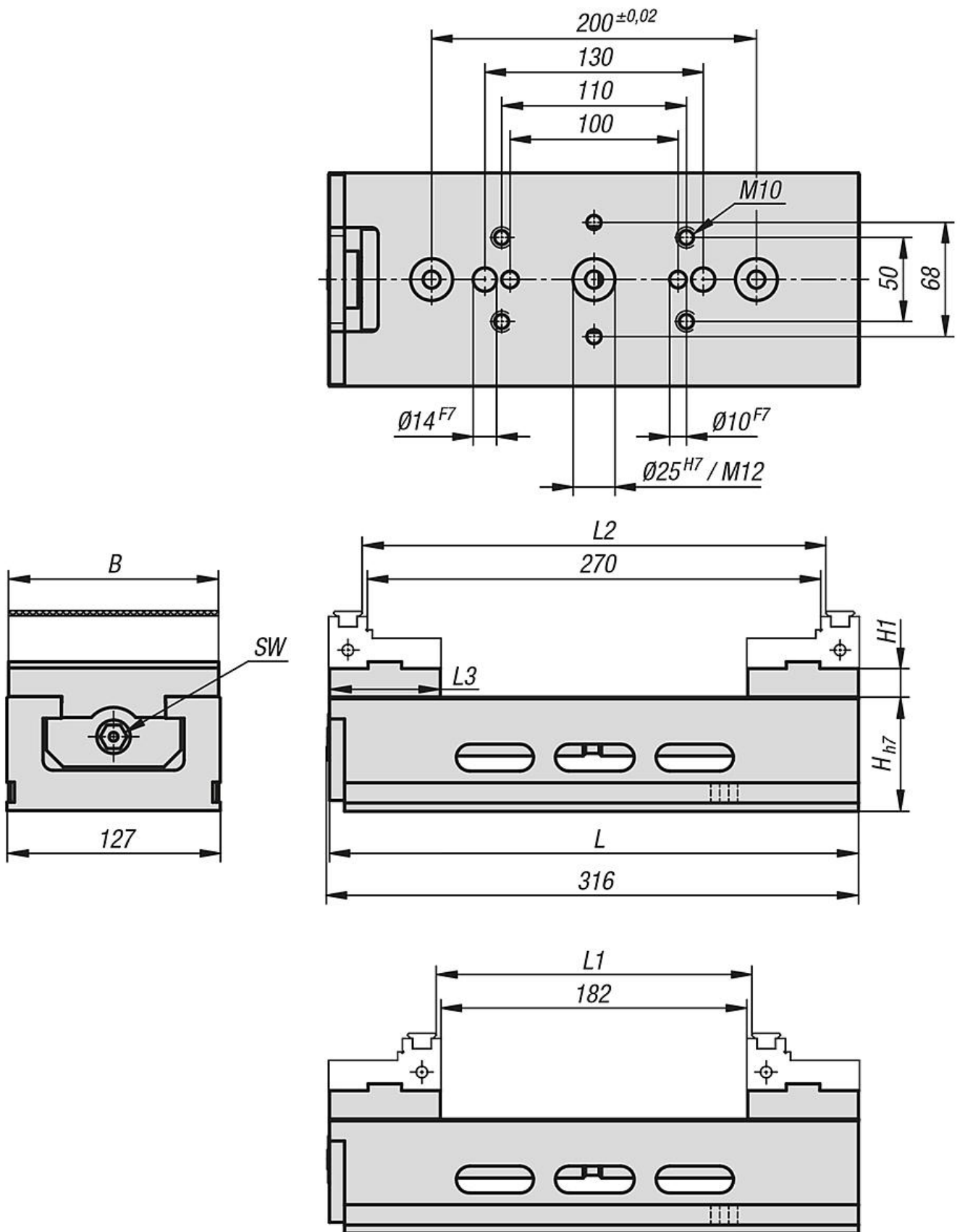
The use of a torque wrench is recommended to achieve a controlled clamping force.

Features:

- Clamping slide and spindle nut in one piece
- Slots and fastening threads for mounting attachment jaws
- Reversible jaws (accessories) with lateral thread for workpiece stop enables a wider clamping range
- Good swarf and coolant removal



Drawings



Overview of items

Overview of items

Centric vices, jaw width 80 mm

Order No.	B	H	H1	L	L1	L2	L3	SW
41102-080200	80	50h7	16	200	6-101	66-161	52	12
41102-125315	125	62h7	17	315	6-188	94-276	66	14