

Item description/product images



Description

Material:

Co-polyester elastomer.

Version:

Material hardness Shore 55D.

Note:

Suitable for emergency stop and continuous use

Energy reduction: 58% to 73%

Dynamic force absorption: 870 N to 35190 N

Impact velocity: max. 5 m/s.

The profile dampers are maintenance-free and are supplied ready to install with a special fastening screw.

Environment: Resistant to microbes, sea water, chemicals and with very good UV and ozone resistance. No water absorption or maceration.

Fastening screws: Special cap screws with hex sockets, material 44SMn28 (free-cutting steel SAE 1144) electro zinc-plated:

M6x10, M8x14, M12x18, M16x26

ISO 4762 cap screws with hex sockets - 8.8 steel, black:

M3x6, M4x8**, M5x10**

** With DIN 125 washer, electro zinc-plated steel.

Application:

Linear slides and linear guides, pneumatic cylinders, handling equipment, machines and plants

Temperature range:

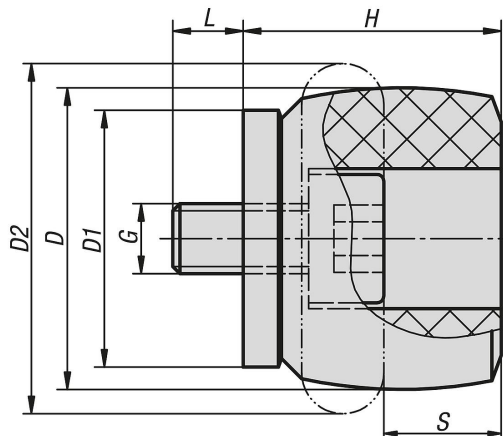
-40 °C to +90 °C

Assembly:

Mounting position: any.

Secure fastening screws with LOCTITE thread lock.

Drawings



Overview of items

Order No.	D	D1	D2	G	H	L	Travel S	max. energy absorption Nm per stroke by permanent load	max. energy absorption Nm per stroke by emergency stop	Tightening torque of screws Nm
26180-01205	12	11	15	M3	11	3	5	2	3	1
26180-01707	17	15	22	M4	16	4	7	6	9	1,7
26180-02109	21	18	26	M5	18	5	9	10	16	2,3
26180-02210	22	19	27	M6	19	6	10	11,5	21	6
26180-02812	28	25	36	M6	26	6	12	29	46	6
26180-03414	34	30	43	M6	30	6	14	48	87	6
26180-03716	37	33	48	M6	33	6	16	65	112	6
26180-04016	40	34	50	M8	35	8	16	82	130	20
26180-04318	43	38	55	M8	38	8	18	112	165	20
26180-04720	47	41	60	M12	41	12	20	140	173	50
26180-05022	50	44	64	M12	45	12	22	170	223	50
26180-05422	54	47	68	M12	47	12	22	201	334	50
26180-05724	57	50	73	M12	51	12	24	242	302	50
26180-06225	62	53	78	M12	54	12	25	304	361	50
26180-06527	65	57	82	M12	58	12	27	374	468	50
26180-07029	70	60	86	M12	61	12	29	421	524	50
26180-07231	72	63	91	M16	65	16	31	482	559	120
26180-08032	80	69	100	M16	69	16	32	570	831	120