

Item description/product images



Description

Material:

Co-polyester elastomer.

Version:

Material hardness Shore 55D.

Note:

Suitable for emergency stop and continual use.

Energy reduction: 39% to 62%.

Dynamic force absorption: 550 N to 7440 N

Impact velocity: max. 5 m/s.

The profile dampers are maintenance-free and are supplied ready to install with a special fastening screw.

Environment: Resistant to microbes, sea water, chemicals and with very good UV and ozone resistance. No water absorption or maceration.

Application:

Linear slides and linear guides, pneumatic cylinders, furniture industry, machines and plants.

Temperature range:

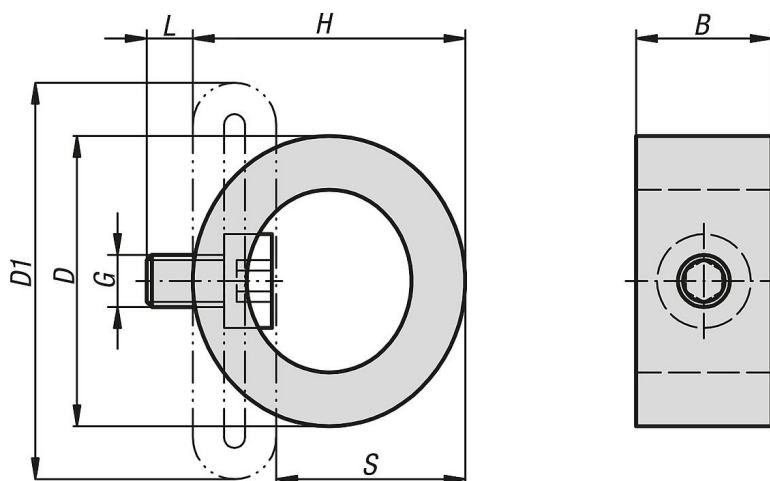
-40 °C to +90 °C

Assembly:

Mounting position: any.

Secure fastening screws with LOCTITE thread lock.

Drawings



Overview of items

Order No.	B	D	D1	G	H	L	Travel S	max. energy absorption Nm per stroke by permanent load	max. energy absorption Nm per stroke by emergency stop	Tightening torque of screws Nm
26186-03015	13	30	38	M5	23	5	15	2,7	5,7	3
26186-03919	19	39	50	M5	30	5	19	6	18	3

Overview of items

Order No.	B	D	D1	G	H	L	Travel S	max. energy absorption Nm per stroke by permanent load	max. energy absorption Nm per stroke by emergency stop	Tightening torque of screws Nm
26186-04523	20	45	58	M5	36	5	23	8,7	24	3
26186-05232	34	52	68	M5	42	5	32	11,7	20	3
26186-06441	43	64	87	M5	53	5	41	25	46	3
26186-06837	46	68	88	M5	56	5	37	66,5	98	3
26186-07942	46	79	102	M6	64	6	42	81,5	106	6
26186-08645	51	86	109	M6	69	6	45	124	206	6