

Item description/product images

19"



Description

Material:

Grip aluminium.  
 Legs and cap PA 6.  
 Screw and flange nut steel.

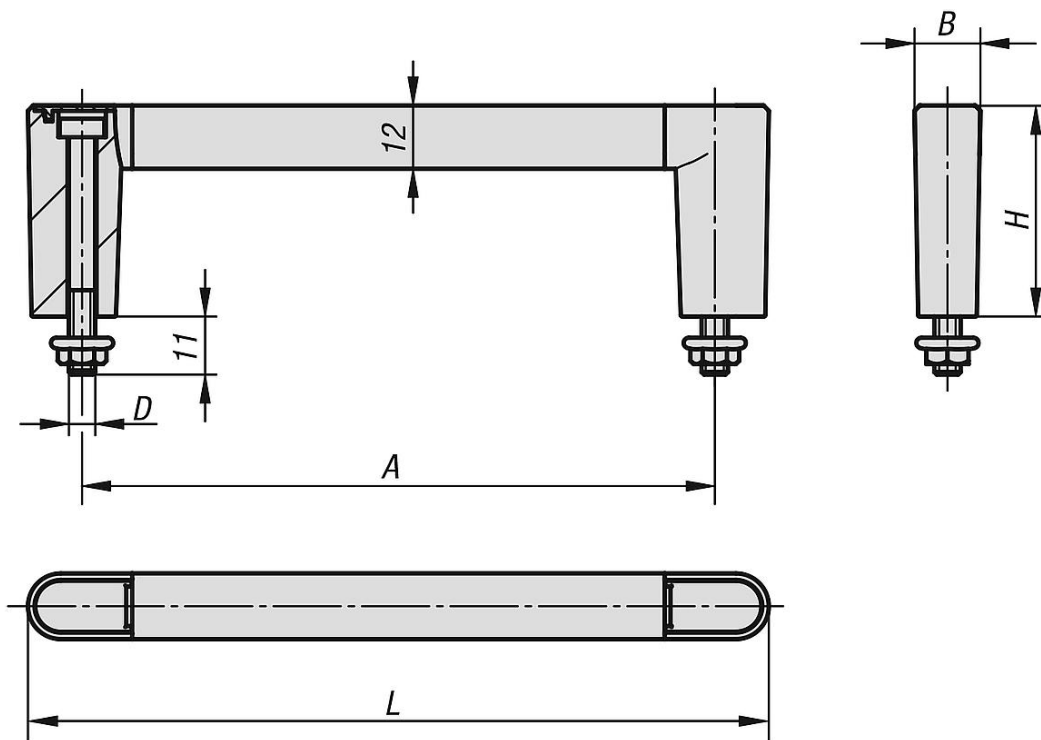
Version:

Grip natural colour or black anodised.  
 Screw and flange nut electro zinc-plated.

Note:

- 19"
- Closed design
- Simple assembly
- The cap is tapped on using a plastic hammer

Drawings



Overview of items

Order No.	Main colour	A	B	D	H	L	Load capacity N
06932-055201	black	55	12,5	M5	40	75,5	1000
06932-088201	black	88	12,5	M5	40	108,5	1000
06932-100201	black	100	12,5	M5	40	120,5	1000
06932-120201	black	120	12,5	M5	40	140,5	1000
06932-180201	black	180	12,5	M5	40	200,5	1000
06932-235201	black	235	12,5	M5	40	255,5	1000
06932-055203	natural	55	12,5	M5	40	75,5	1000
06932-088203	natural	88	12,5	M5	40	108,5	1000
06932-100203	natural	100	12,5	M5	40	120,5	1000

## Overview of items

Order No.	Main colour	A	B	D	H	L	Load capacity N
06932-120203	natural	120	12,5	M5	40	140,5	1000
06932-180203	natural	180	12,5	M5	40	200,5	1000
06932-235203	natural	235	12,5	M5	40	255,5	1000