

Item description/product images



Description

Material:

Spring steel

Version:

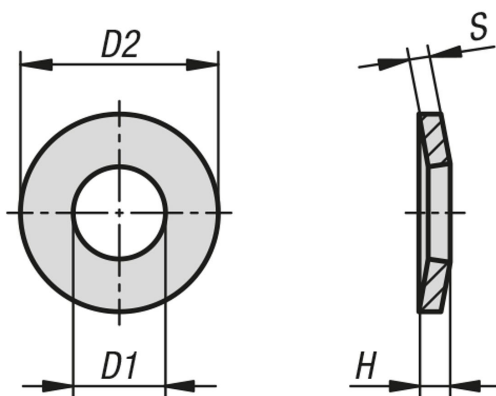
Hardened, bright, oiled or mechanically galvanised.

Note:

The special shape (formed like a disc spring) enables the conical spring washer to achieve a high spring effect. The spring force resulting from the flattening load washer amounts to 70–90% of the corresponding contact pressure of a screw of grade 8.8–10.9.

Conical spring washers are used to compensate for subsidence formation in screw connections and to prevent a loosening or unfastening of the connection. The locking effect is purely frictional.

Drawings



Overview of items

| Order No. | Surface finish body | for screws | D1 | D2 | H | S |
|-----------|----------------------------|---------------|------|----|------|-----|
| 07303-04 | hardened, bright and oiled | M4 | 4,3 | 9 | 1,3 | 1 |
| 07303-05 | hardened, bright and oiled | M5 | 5,3 | 11 | 1,55 | 1,2 |
| 07303-06 | hardened, bright and oiled | M6 | 6,4 | 14 | 2 | 1,5 |
| 07303-08 | hardened, bright and oiled | M8 | 8,4 | 18 | 2,6 | 2 |
| 07303-10 | hardened, bright and oiled | M10 | 10,5 | 23 | 3,2 | 2,5 |
| 07303-12 | hardened, bright and oiled | M12 | 13 | 29 | 3,95 | 3 |
| 07303-14 | hardened, bright and oiled | M14 | 15 | 35 | 4,65 | 3,5 |
| 07303-16 | hardened, bright and oiled | M16 | 17 | 39 | 5,25 | 4 |
| 07303-18 | hardened, bright and oiled | M18 | 19 | 42 | 5,8 | 4,5 |
| 07303-20 | hardened, bright and oiled | M20 | 21 | 45 | 6,4 | 5 |
| 07303-22 | hardened, bright and oiled | M22 | 23 | 49 | 7,05 | 5,5 |
| 07303-24 | hardened, bright and oiled | M24 | 25 | 56 | 7,75 | 6 |
| 07303-30 | hardened, bright and oiled | M30 | 31 | 70 | 9,2 | 7 |
| 07303-104 | galvanised | M4 | 4,3 | 9 | 1,3 | 1 |
| 07303-105 | galvanised | M5 | 5,3 | 11 | 1,55 | 1,2 |
| 07303-106 | galvanised | M6 | 6,4 | 14 | 2 | 1,5 |
| 07303-108 | galvanised | M8 | 8,4 | 18 | 2,6 | 2 |
| 07303-110 | galvanised | M10 | 10,5 | 23 | 3,2 | 2,5 |
| 07303-112 | galvanised | M12 | 13 | 29 | 3,95 | 3 |
| 07303-114 | galvanised | M14 | 15 | 35 | 4,65 | 3,5 |

Overview of items

| Order No. | Surface finish body | for screws | D1 | D2 | H | S |
|-----------|------------------------|---------------|----|----|------|-----|
| 07303-116 | galvanised | M16 | 17 | 39 | 5,25 | 4 |
| 07303-118 | galvanised | M18 | 19 | 42 | 5,8 | 4,5 |
| 07303-120 | galvanised | M20 | 21 | 45 | 6,4 | 5 |
| 07303-122 | galvanised | M22 | 23 | 49 | 7,05 | 5,5 |
| 07303-124 | galvanised | M24 | 25 | 56 | 7,75 | 6 |
| 07303-130 | galvanised | M30 | 31 | 70 | 9,2 | 7 |