

Technical information for pneumatic linear modules with round guides

Housing:

Hard coated aluminium alloy with high corrosion resistance and surface hardness.

The drive is a double-acting cylinder integrated in the carriage. Four sizes with two or three guide shafts and travel of 40 to 300 mm are available. The large dimensioned guide shafts with ball-bearing guides allow load bearing capacities up to max. 1080 N and repeat accuracies of ± 0.01 mm are realisable.

Flange plates:

Aluminium alloy. Weight reduction, no oxidation.

Mounting surfaces:

Three mounting faces with mounting and locating holes on the housing and flange plates for flexible application.

Fastening thread:

All fastening threads in the housing are reinforced with threaded inserts.

Guidance:

Ball guide bushing and precision steel shafts. Extremely precise and quiet run at high speeds. Low friction values due to rolling friction, low moving force, low wear. No stick-slip phenomena.

Piston bores:

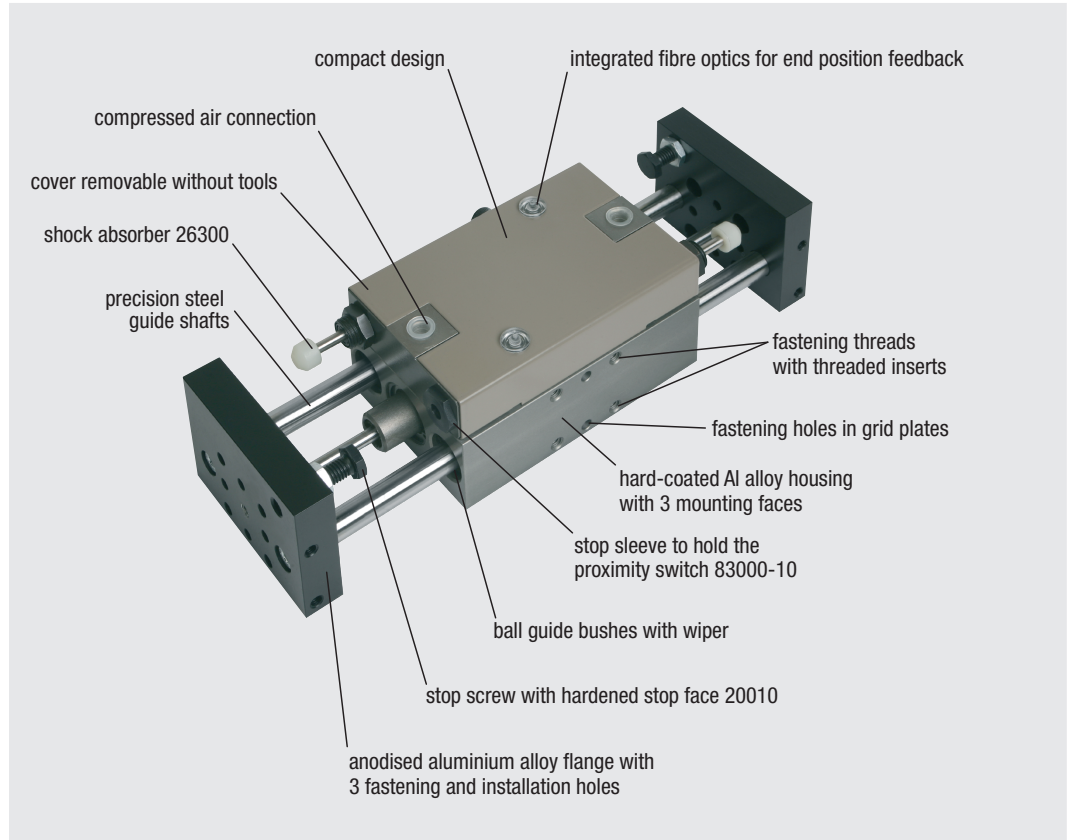
Fine honed piston bores ensure a long lifespan of the piston seals.

Piston seals:

The double grooved rings undertake ancillary sealing and guidance functions and guarantee optimal sealing at full pressure.

Advantages:

- Locating holes for highest fitting accuracy of the modules with each. All modules can be combined without intermediate plates (see combination table).
- Compact design, double action cylinder, integrated shock absorber and proximity switch.
- Assembly and maintenance friendly. Cover removable without tools.
- Any mounting position.
- Integrated fibre optics make the LED indicators easily visible from most perspectives.
- Optionally available with integrated stroke deviation safeguard to secure production.



Combination possibilities without intermediate plate

		Horizontal mounting			
		Size 1	Size 2	Size 3	Size 5
Vertical mounting	Size 1	X	X	X	
	Size 2		X	X	X
	Size 3			X	X
	Size 5				X

Unlisted combinations are possible with intermediate plates.

In principle, linear module combinations in all stroke variants and sizes are possible. However, in horizontal applications it is better to use modules of the same size or larger.