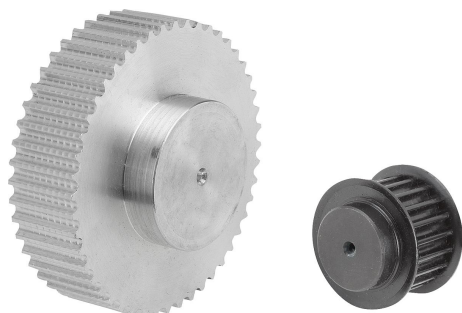


Item description/product images



**Description**

**Material:**

Steel.

Toothed pulleys without aluminium rim flanges.

**Version:**

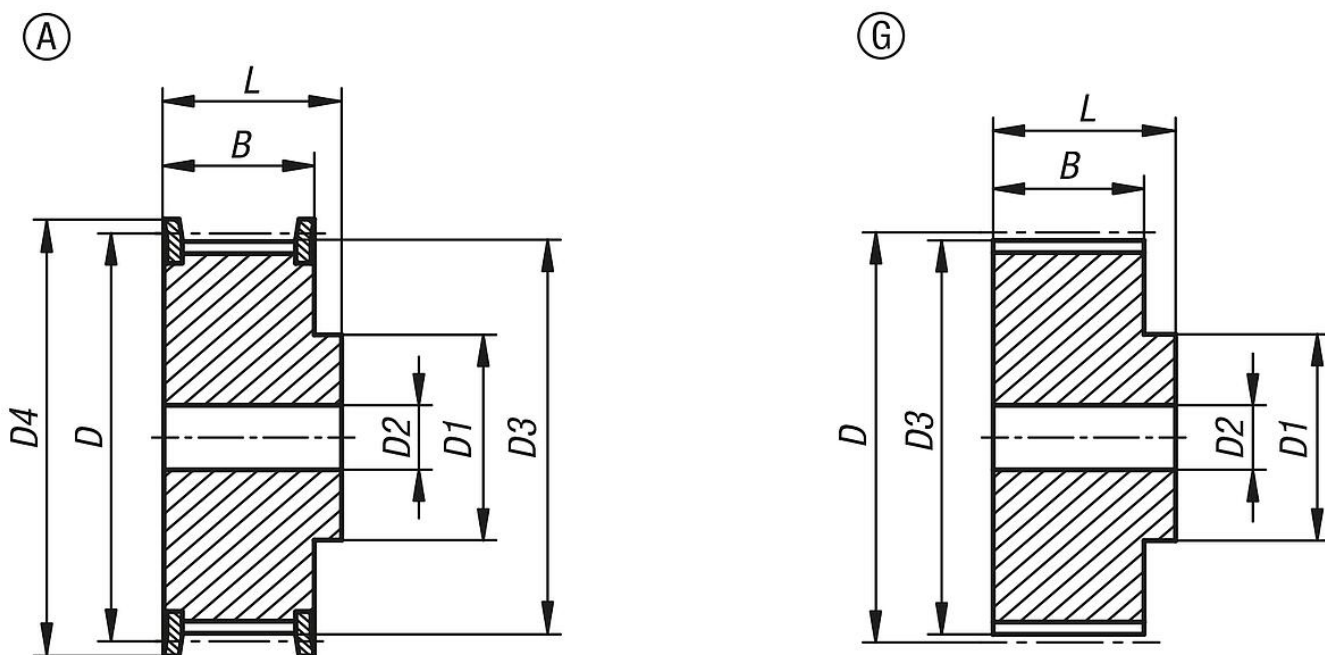
Steel phosphated.

Aluminium bright.

**Note:**

Standard HTD profile with metric graduation (semicircular toothing). At least one toothed belt pulley must have a rim flange. The toothed belt pulleys have a centre bore or are pre-drilled (this can vary due to production methods). For this reason, the dimension D2 max. given in the table is the maximum diameter of the bore that the toothed belt pulleys are supplied with. This pilot hole/centre bore can be customised with a reamed hole, reamed hole with keyway or a tapped hole by the customer. Alternatively, bushes can be fitted by the customer to reduce the diameter. To reduce weight, the toothed belt pulleys may have a recess on one face.

Drawings



Overview of items

Order No.	belt width	Form	Main material	No. of teeth	D	D1 max.	D2 max.	D3	D4 max.	B	L
22004-051512	15	A	steel	12	19,1	13	6	17,96	23	20,5	26
22004-052512	25	A	steel	12	19,1	13	6	17,96	23	30	36
22004-051514	15	A	steel	14	22,28	14	6	21,14	25	20,5	26
22004-052514	25	A	steel	14	22,28	14	6	21,14	25	30	36
22004-051515	15	A	steel	15	23,87	16	6	22,73	28	20,5	26
22004-052515	25	A	steel	15	23,87	16	6	22,73	28	30	36
22004-052516	25	A	steel	16	25,47	16,5	6	24,32	28	30	36
22004-051516	15	A	steel	16	25,47	16,5	6	24,32	28	20,5	26
22004-051518	15	A	steel	18	28,65	20	6	27,51	32	20,5	26
22004-052518	25	A	steel	18	28,65	20	6	27,51	32	30	36
22004-052520	25	A	steel	20	31,83	23	6	30,69	36	30	36

## Overview of items

Order No.	belt width	Form	Main material	No. of teeth	D	D1 max.	D2 max.	D3	D4 max.	B	L
22004-051520	15	A	steel	20	31,83	23	6	30,69	36	20,5	26
22004-051521	15	A	steel	21	33,42	24	6	32,28	38	20,5	26
22004-052521	25	A	steel	21	33,42	24	6	32,28	38	30	38
22004-052522	25	A	steel	22	35,01	25,5	6	33,87	39	30	38
22004-051522	15	A	steel	22	35,01	25,5	6	33,87	39	20,5	26
22004-051524	15	A	steel	24	38,19	27	6	37,06	42	20,5	28
22004-052524	25	A	steel	24	38,19	27	6	37,06	42	30	38
22004-052526	25	A	steel	26	41,38	30	6	40,24	46	30	38
22004-051526	15	A	steel	26	41,38	30	6	40,24	46	20,5	28
22004-051528	15	A	steel	28	44,56	30,5	6	43,42	50	20,5	28
22004-052528	25	A	steel	28	44,56	30,5	6	43,42	50	30	38
22004-052530	25	A	steel	30	47,75	35	8	46,61	51	30	38
22004-051530	15	A	steel	30	47,75	35	8	46,61	51	20,5	28
22004-051532	15	A	steel	32	50,93	38	8	49,79	55	20,5	28
22004-052532	25	A	steel	32	50,93	38	8	49,79	55	30	38
22004-052536	25	A	steel	36	57,3	38	8	56,16	62	30	38
22004-051536	15	A	steel	36	57,3	38	8	56,16	62	20,5	28
22004-051540	15	A	steel	40	63,66	38	8	62,52	71	20,5	28
22004-052540	25	A	steel	40	63,66	38	8	62,52	71	30	38
22004-052544	25	G	aluminium	44	70,03	38	8	68,89	-	30	40
22004-051544	15	G	aluminium	44	70,03	38	8	68,89	-	20,5	30
22004-051548	15	G	aluminium	48	76,39	45	8	75,25	-	20,5	30
22004-052548	25	G	aluminium	48	76,39	45	8	75,25	-	30	40
22004-052560	25	G	aluminium	60	95,49	50	8	94,35	-	30	40
22004-051560	15	G	aluminium	60	95,49	50	8	94,35	-	20,5	30
22004-051572	15	G	aluminium	72	114,59	50	8	113,45	-	20,5	30
22004-052572	25	G	aluminium	72	114,59	50	8	113,45	-	30	40