

Item description/product images



Description

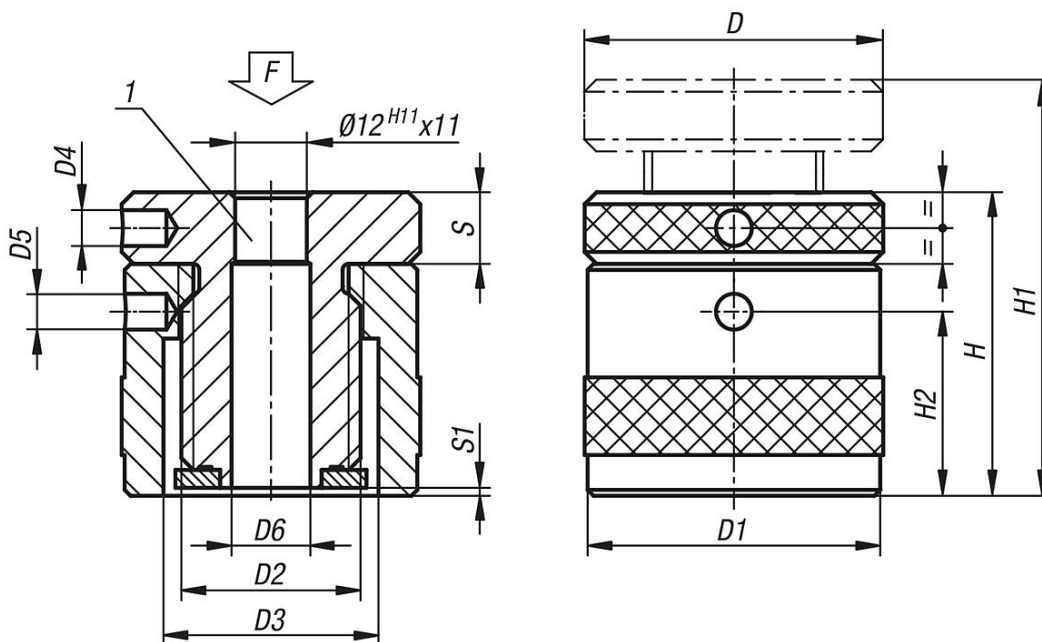
**Material:**  
Stainless steel 1.4305.

**Version:**  
Self-locking trapezoidal thread, spindle has end lock.

**Note:**  
The through hole allows easy clamping and positioning of the workpiece.

**Drawing reference:**  
1) centring hole for 02210

Drawings



Overview of items

Order No.	D	D1	D2	D3	D4	D5	D6	H	H1	H2	S	S1	F max. kN
02171-015	50	49	Tr 30X4	36	6	6	13	42	52	24	12	2	50
02171-02	50	49	Tr 30X4	36	6	6	13	50	72	30	12	0,5	50
02171-03	50	49	Tr 30X4	36	6	6	13	71	102	43	16	1,5	50

