

Item description/product images

**Description****Material:**

Investment cast 1.4308 stainless steel.
ISO 4762 cap screw and ISO 4032 hex nut, stainless steel.
From $\varnothing 30$ mm ISO 4017 hex head bolt, stainless steel.

Version:

Electropolished.

Note:

The tube clamps with diameters 30 and 40 mm have a silicone sleeve that protects the thread of the hex head screw from contamination and damage.

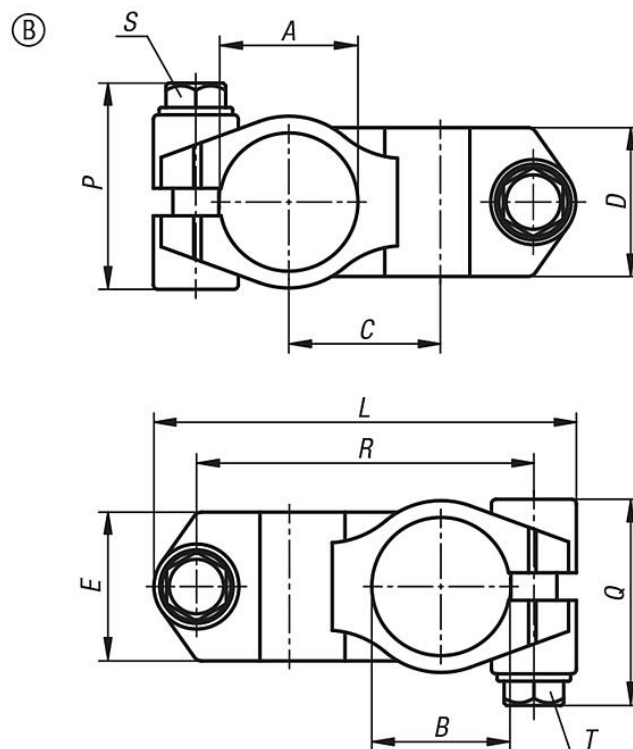
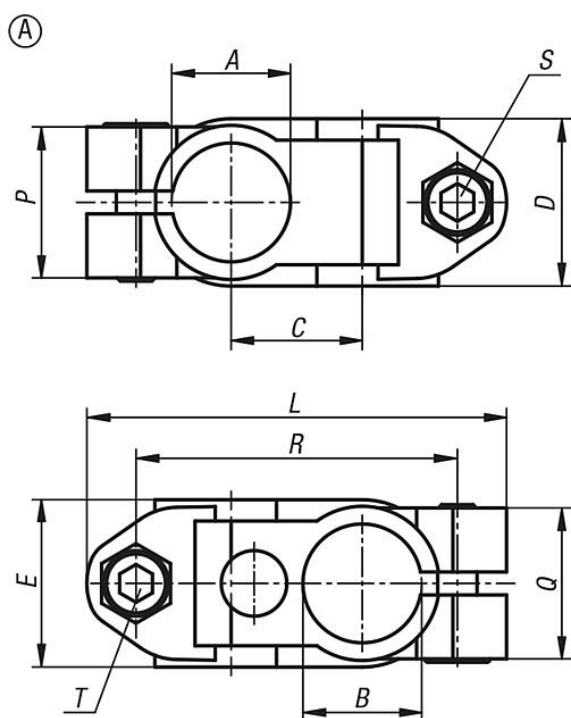
On request:

Clamping levers for tightening.

Accessory:

- Round and square tubes 29050

Drawings



Overview of items

Order No.	Form	A	B	C	D	E	L	P	Q	R	S	T
29000-11212	A	12,1	12,1	20	25,5	25,5	64	23	23	49	M6x18	M6x18
29000-11414	A	14,1	14,1	20	25,5	25,5	64	23	23	49	M6x18	M6x18
29000-11616	A	16,1	16,1	20	25,5	25,5	64	23	23	49	M6x18	M6x18
29000-11818	A	18,1	18,1	20	25,5	25,5	64	23	23	49	M6x18	M6x18
29000-12020	A	20,1	20,1	21	25,5	25,5	64	23	23	49	M6x18	M6x18
29000-13030	B	30,1	30,1	33	32,4	32,4	92	45,5	45,5	73,5	M8x30	M8x30
29000-14040	B	40,17	40,17	42	40,4	40,4	118	52	52	95,5	M10x35	M10x35