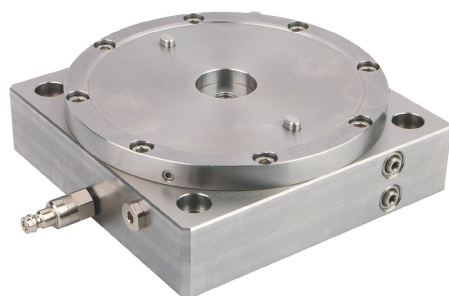
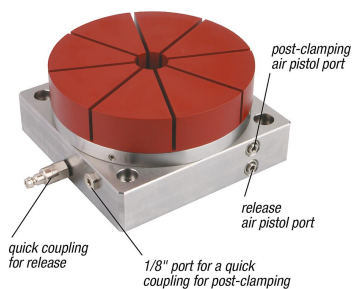
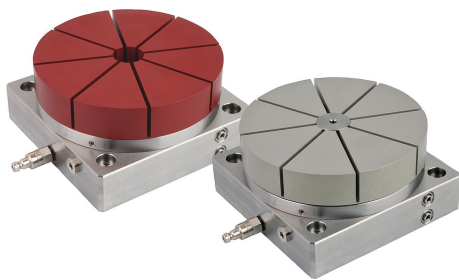


## Item description/product images



System without collet

## Description

**Material:**

Flange plate, pistons and body steel.

Seals NBR.

Screws DIN EN ISO 4762 grade 8.8.

Collet aluminium.

**Version:**

Flange plate, piston and body rust-resistant, bright.

Screws electro zinc-plated.

Collet red or clear anodised.

**Note:**

Machinable collet system with base plate for mounting on 50mm pitch grid plates. The flange plate can be used for external or internal clamping collets. The contour of the workpiece to be clamped is machined into the collet. Free-form and asymmetrical contours can be clamped.

The integrated spring package generates a clamping force of 5.8 kN. The clamping force can be raised to 43.5 kN by pneumatic post-clamping. The clamp is released by blowing compressed air onto the lower piston surface pushing the piston upwards and releasing the clamping force on the collet.

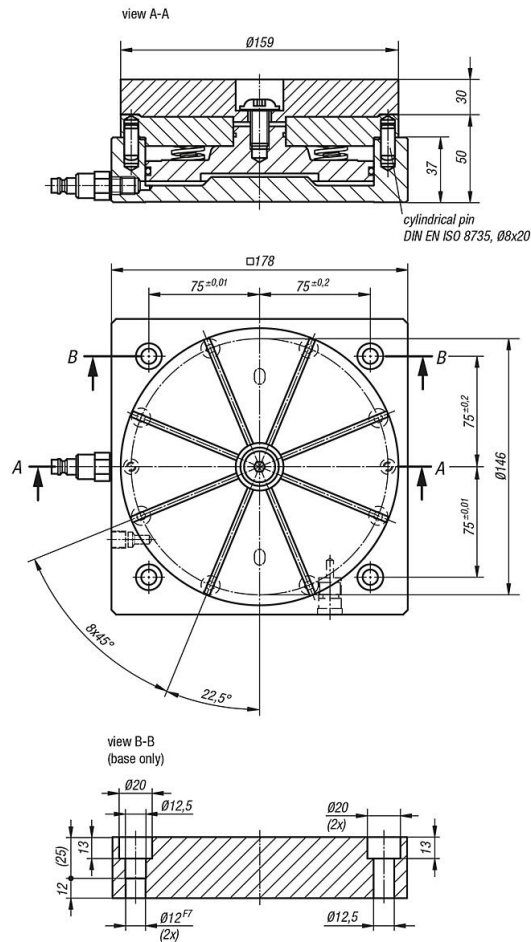
Clamping travel 0.2 mm.

Repeat accuracy < 0.01 mm.

**Accessory:**

Collet for external or internal clamping 03179

## Drawings



## Overview of items

| Order No.      | Version 2             | Clamping range<br>min. - max.      | Milling depth<br>min./max. | Workpiece weight<br>max. (kg) | for Art. No. |
|----------------|-----------------------|------------------------------------|----------------------------|-------------------------------|--------------|
| 03178-11603050 | for external clamping | $\varnothing 30 - \varnothing 140$ | 1-20                       | 25                            | 07533-12055  |
| 03178-21603050 | for internal clamping | $\varnothing 30 - \varnothing 140$ | 1-20                       | 25                            | 07533-12055  |