

Item description/product images



Description

Material:

Steel.

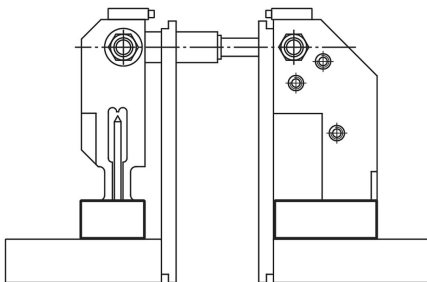
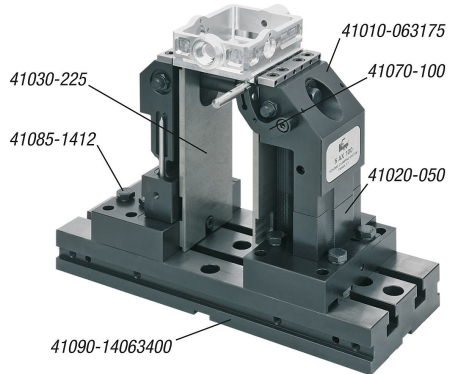
Version:

Black oxidised.

Note:

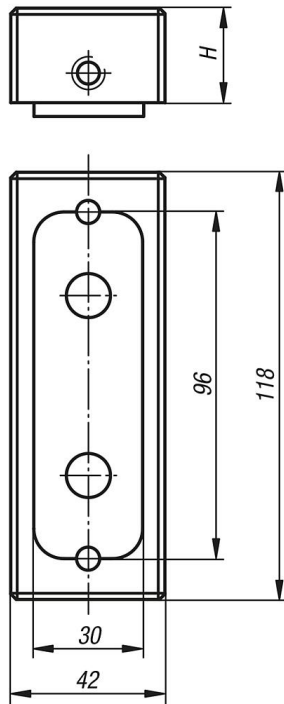
Assembly of the height adapters is performed between the base plate and the jaw. Thus the clamping height for the 3 axis clamping system can be increased to 125 or 150 mm. For the 5 axis clamping system the clamping height can be increased to 200, 225 or 250 mm. When the height adapters are being used, please also order the corresponding 41030 support guides.

Supplied with fastening screws and cylindrical pins.

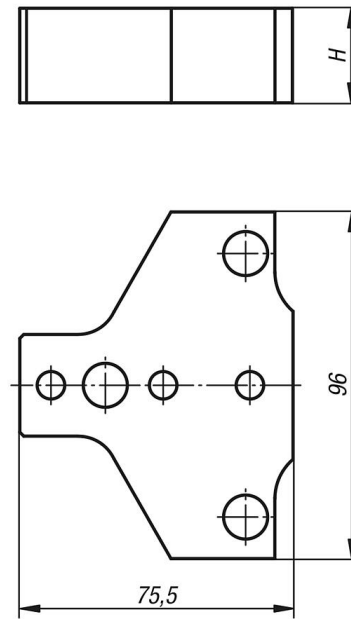


Drawings

risers for
moveable side



risers for
fixed side



Overview of items

Order No.	H	weight kg
41020-025	25	1,945
41020-050	50	3,68
41020-075	75 (25 + 50)	5,271