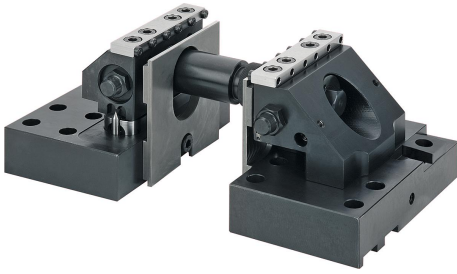


Item description/product images

**Description****Material:**

Base plates and jaws low-carbon steel.
Seating ledges steel.
Jaw plates special steel.
Clamping pins tool steel.

Version:

Base plates and jaws black oxidised.
Seating ledges hardened, bright.
Jaw plates bright.
Clamping pins hardened, bright.

Note:

3 axis clamping system of mounting on machine tables with T-slots. The clamping system enables 3-sided machining free of interfering edges with a clamping depth of only 8 mm. With this clamping system, clamping widths of 22 - 236 mm are possible, and can be extended as desired using the optionally available 41065 extension shafts. By installing a tension spindle immediately under the workpiece support, a force of up to 22 kN is applied to the workpiece; this is not lost due to bending.

The use of clamping pins with a 4 mm cup point allows positive-fit clamping without pre-embossing.

For fastening the clamping system on slotted tables, fixing set 41085 is recommended.

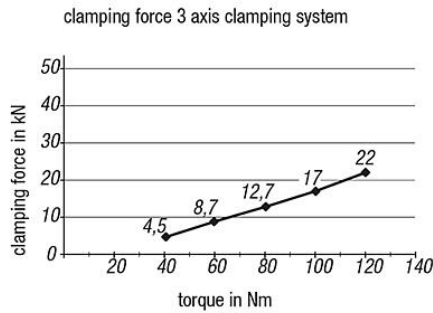
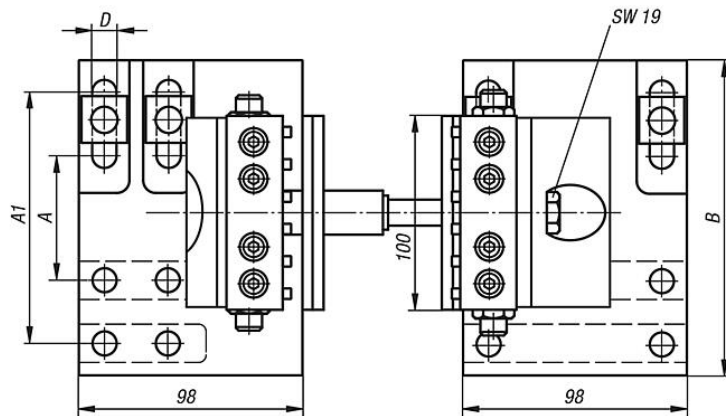
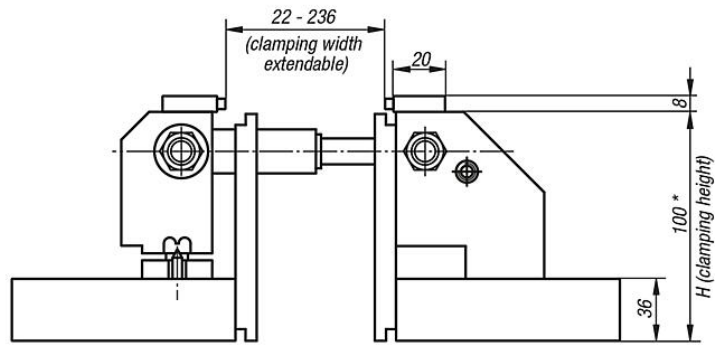
The clamping set includes 1 each extension shaft with L = 60 mm and L = 120 mm.

* The clamping height can be extended with the height adapters 41020 and support guides 41030.

Accessory:

Stop set 41070
Fixing set 41085

Drawings



Overview of items

Order No.	Suitable for	A	A1	B	D	H	Clamping force max. kN	weight kg
41010-063100	slot spacing 63 - 126	63	126	158	12,5	100 *	22	15,345