

Item description/product images



Description

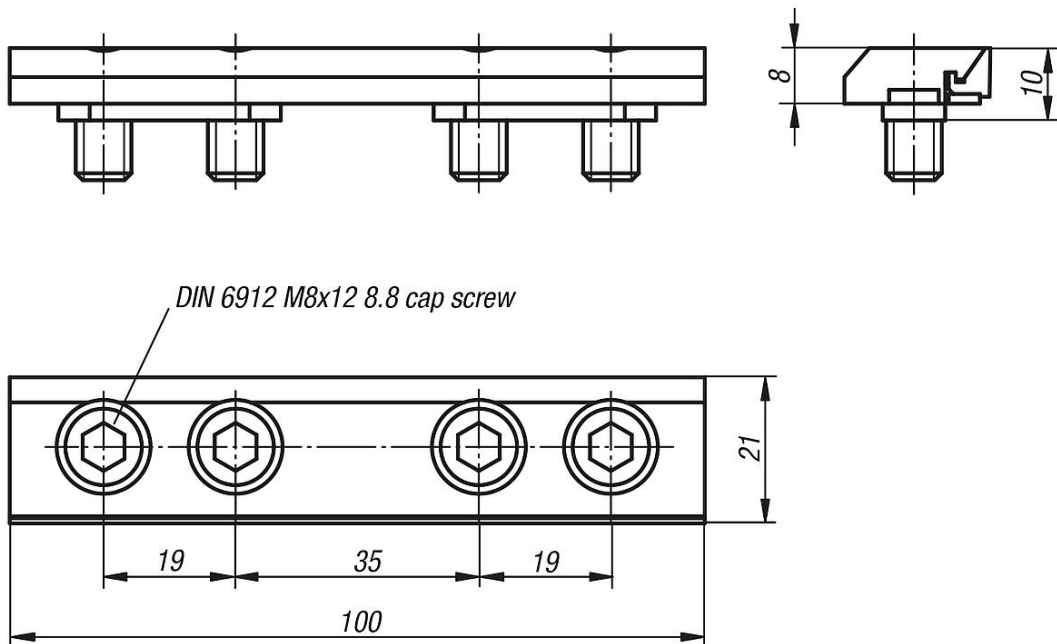
Material:
Special steel.

Version:
Bright.

Note:
Positive down jaw plates for clamping pre-machined workpieces.
Suitable for all 3-axis and 5-axis vices.

Supplied in pairs.

Drawings



Overview of items

Order No.	Suitable for
41045-110008	All 3-axis and 5-axis clamping systems