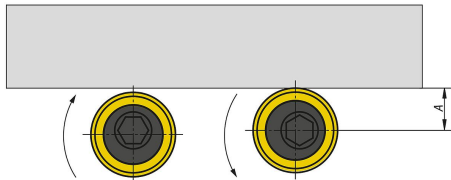


## Item description/product images



## Description

**Material:**

Knife edge washer.  
Cam screw carbon steel.

**Version:**

Cam screw tempered to 10.9 and black oxidised.  
Knife edge washer hardened and anodised.

**Note:**

The hardened knife edge washer is suitable for clamping rough pieces (saw cut stock, castings, forgings etc).

Not designed for clamping hardened materials with the torque specified.

Clockwise rotation is recommended for clamping. The hex socket on the screw should be on the right after tightening. (Screw in the cam screw as far as it will go, then turn it back one turn).

"A" = distance from workpiece to screw centre (cam screw).

**On request:**

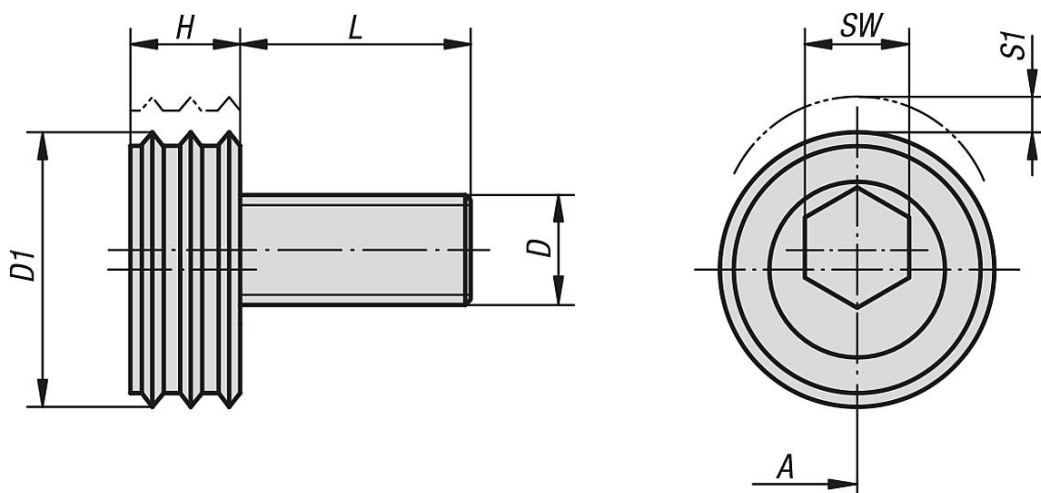
Replacement screw for cam screws K1969

**Functional principle:**

Clamping method:

1. Screw the cam screw in as far as it will go.
2. Screw the cam screw back one turn.
3. Position the workpiece.
4. Turn the cam screw clockwise to clamp the workpiece.  
(The hex socket on the cam screw should now be on the right).

## Drawings



## Overview of items

Order No.	A	D	D1	L	H	SW	S1 (travel)	Clamping force kN	Tightening torque max. Nm	Accessories NLM
04434-12	12,7	M12	25,4	22,5	9,6	8	2,03	17,8	88	04521-10-1225
04434-16	15	M16	30,1	26,8	12,7	12	2,54	26,7	135	04521-10-1630