

Item description/product images

19"



Description

Material:

Grip aluminium EN AW-6060.  
 Legs polyamide glass-bead reinforced.  
 Bushing brass.

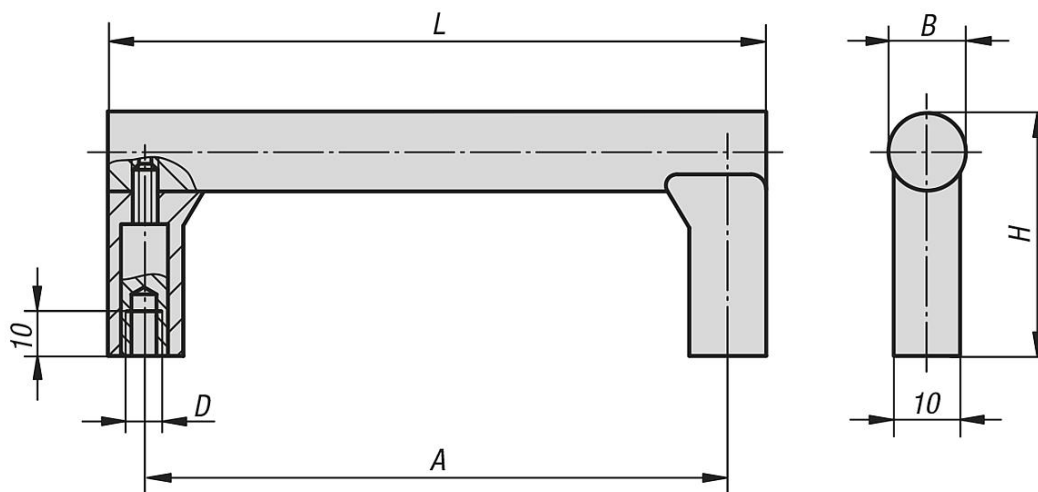
Version:

Grip fine ground and natural colour or black anodised.  
 Legs aluminium colour or black.

Note:

Grip and legs are screwed securely together.

Drawings



Overview of items

Order No.	Main colour	Component colour	A	B	D	H	L	Load capacity N
06958-1055041	natural anodised	aluminium tone	55	12	M4	37	67	300
06958-1088041	natural anodised	aluminium tone	88	12	M4	37	100	300
06958-1100041	natural anodised	aluminium tone	100	12	M4	37	112	300
06958-1120041	natural anodised	aluminium tone	120	12	M4	37	132	300
06958-1180041	natural anodised	aluminium tone	180	12	M4	37	192	300
06958-1055042	natural anodised	black	55	12	M4	37	67	300
06958-1088042	natural anodised	black	88	12	M4	37	100	300
06958-1100042	natural anodised	black	100	12	M4	37	112	300
06958-1120042	natural anodised	black	120	12	M4	37	132	300
06958-1180042	natural anodised	black	180	12	M4	37	192	300
06958-1055043	black anodised	aluminium tone	55	12	M4	37	67	300
06958-1088043	black anodised	aluminium tone	88	12	M4	37	100	300
06958-1100043	black anodised	aluminium tone	100	12	M4	37	112	300
06958-1120043	black anodised	aluminium tone	120	12	M4	37	132	300
06958-1180043	black anodised	aluminium tone	180	12	M4	37	192	300
06958-1055044	black anodised	black	55	12	M4	37	67	300
06958-1088044	black anodised	black	88	12	M4	37	100	300
06958-1100044	black anodised	black	100	12	M4	37	112	300
06958-1120044	black anodised	black	120	12	M4	37	132	300
06958-1180044	black anodised	black	180	12	M4	37	192	300

