

Item description/product images

**Description****Material:**

Carbon steel or stainless steel.

Version:

Steel black oxidised.

Stainless steel bright.

Note hoist ring:

Do not use spacer washers between the bush flange and support surface.

The permissible countersink diameter (D2) for the thread should be retained.

Tighten the screws to the stated torque and check and re-tighten regularly. After installation check if the ring turns and swivels freely in all directions.

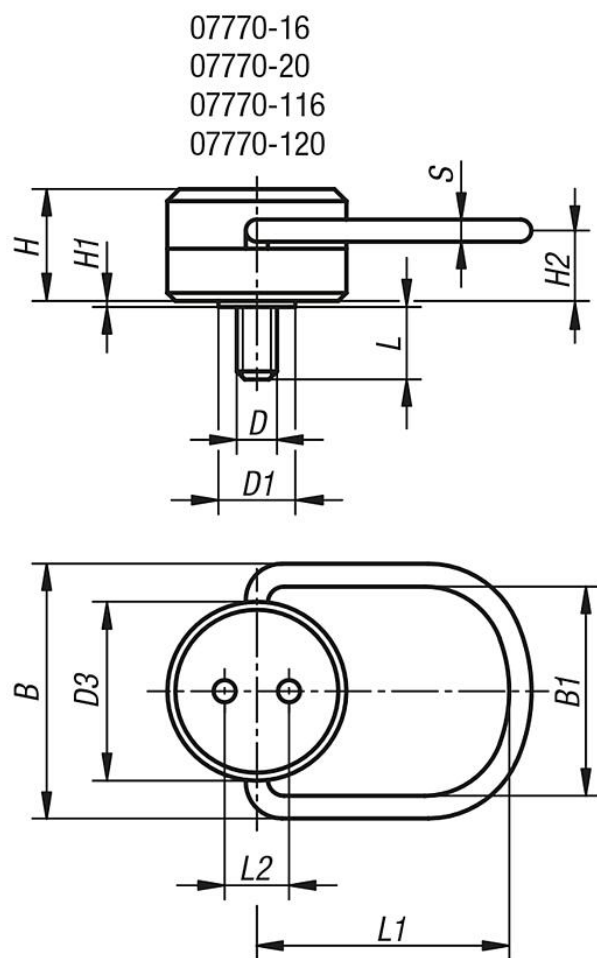
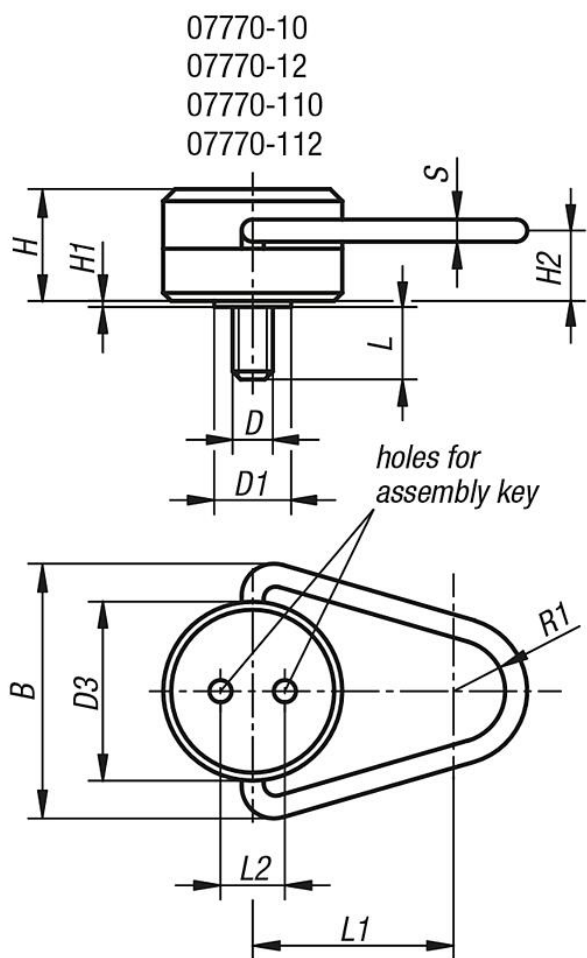
Lift with care! Avoid impacts!

In no event must the permissible load stamped on the hoist ring be exceeded.

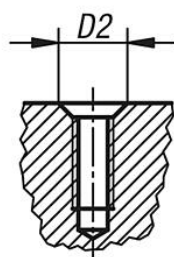
Note on assembly key:

- Insert the assembly key in the holes in the hoist ring.
- Tighten the hoist ring to the recommended torque using a torque wrench.
- The permissible diameter of the countersink must be adhered to.

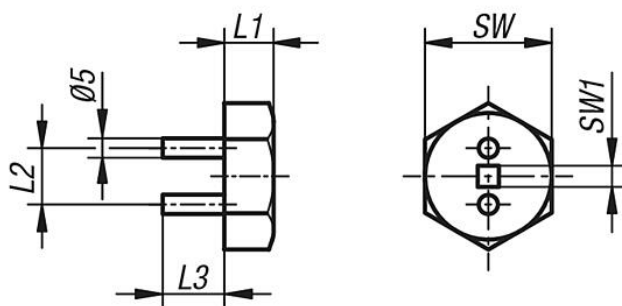
Drawings



fastening thread



assembly key



Overview of items

Order No.	Material	B	B1	D	D1	D2	D3	H	H1	H2	L	L1	L2	R1	S	max. permissible load kg	Recommended tightening torque Nm	matching assembly key
07770-10	steel	66,7	-	M10	19,1	13	44,5	27,8	1,2	17,9	14,6	50,8	16,3	12,7	7,9	500	10	07770-101
07770-12	steel	66,7	-	M12	19,1	16	44,5	27,8	1,2	17,9	19,1	50,8	16,3	12,7	7,9	700	25	07770-101
07770-16	steel	96,8	70	M16	22,2	19	63,5	38,5	0,8	22,6	23,8	88,9	23,1	-	12,7	1500	50	07770-201
07770-20	steel	96,8	70	M20	25,4	22	63,5	38,5	0,8	22,6	30,2	88,9	23,1	-	12,7	2000	80	07770-201
07770-110	stainless steel	66,7	-	M10	19,1	13	44,5	27,8	1,2	17,9	14,6	50,8	16,3	12,7	7,9	250	10	07770-101
07770-112	stainless steel	66,7	-	M12	19,1	16	44,5	27,8	1,2	17,9	19,1	50,8	16,3	12,7	7,9	350	25	07770-101
07770-116	stainless steel	96,8	70	M16	22,2	19	63,5	38,5	0,8	22,6	23,8	88,9	23,1	-	12,7	750	50	07770-201
07770-120	stainless steel	96,8	70	M20	25,4	22	63,5	38,5	0,8	22,6	30,2	88,9	23,1	-	12,7	1000	80	07770-201

Overview of items

Order No.	L1	L2	L3	SW	SW1
07770-101	14	16,3	17,5	24	1/4
07770-201	16,5	23,1	28,6	32	3/8