

Item description/product images



Description

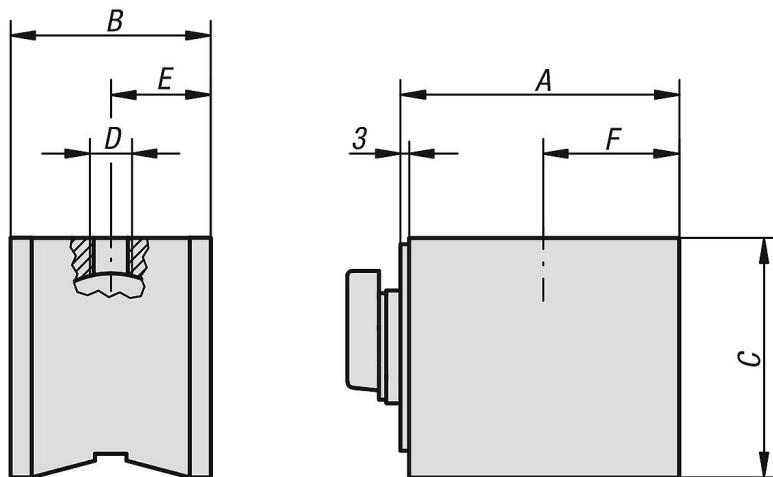
Version:

Permanent magnetic base with high magnetic force.
On/Off switch.
Surface black.

Note:

Permanent magnetic bases are used in fixtures as retaining magnets, as gauge stands etc.

Drawings



Overview of items

Order No.	A	B	C	D	E	F	Magnetic force N
09210-01	61	50	55	M8 x 8	25	29	600
09210-02	76	50	55	M8 x 8	25	36,5	900
09210-03	76	50	55	M10 x 8	25	36,5	900