

Item description/product images



**Description**

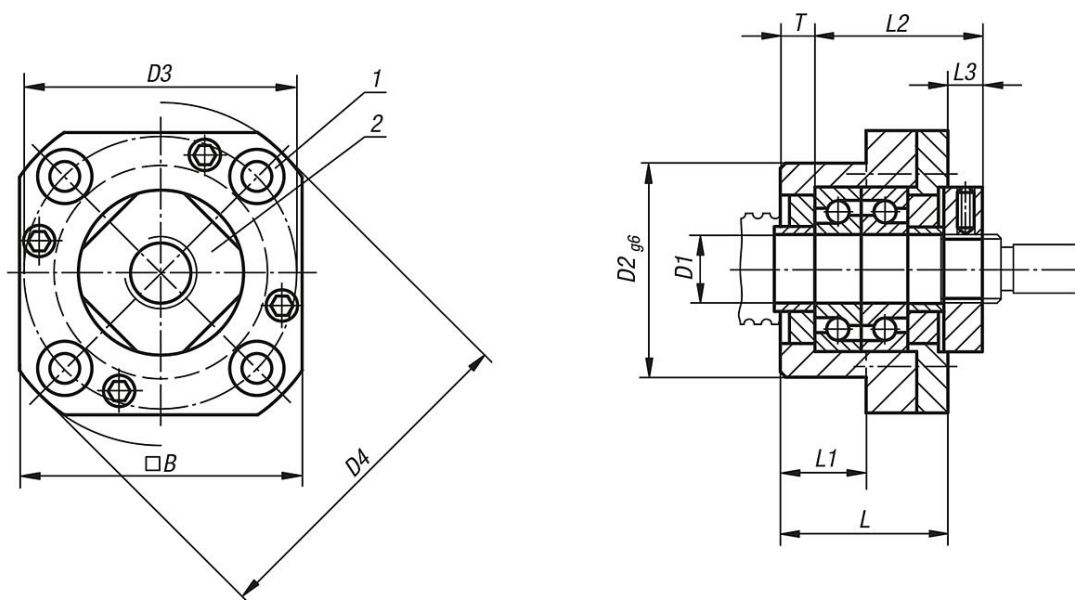
**Material:**  
Housing steel.

**Version:**  
Housing black oxidised.

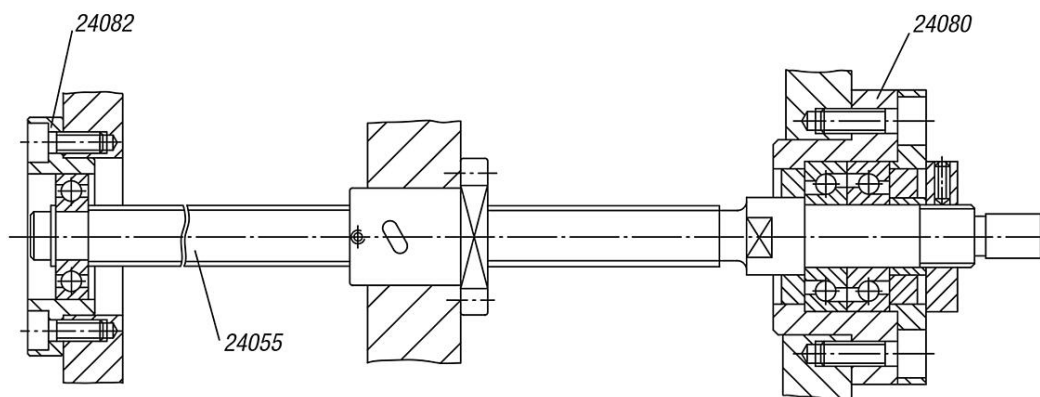
**Note:**  
The fixed bearing unit is matched to the floating bearing unit 24082. The fixed bearing units are composed of a housing with 2 angular contact thrust ball bearings and seals. Preloaded with an initial flange. With backstops and a locknut.

**Drawing reference:**  
1) C for socket head screw ISO 4762  
2) M slotted nut

Drawings



Bearing units fastened from outside



## Overview of items

Order No.	Size	B	C	D1	D2	D3	D4	L	L1	L2	L3	M	T
24080-010	10	42	M4	10	34	42	52	27	17	29,5	7,5	M10x1	5
24080-012	12	44	M4	12	36	44	54	27	17	29,5	7,5	M12x1	5
24080-015	15	52	M5	15	40	50	63	32	17	36	8	M15x1	6
24080-020	20	68	M6	20	57	70	85	52	30	50	10	M20x1	10

Order No.	Dynamic load rating N	Static load rating N	Stiffness K (N/μm)
24080-010	6500	2800	95
24080-012	7000	3100	102
24080-015	7500	3500	114
24080-020	17500	8400	145