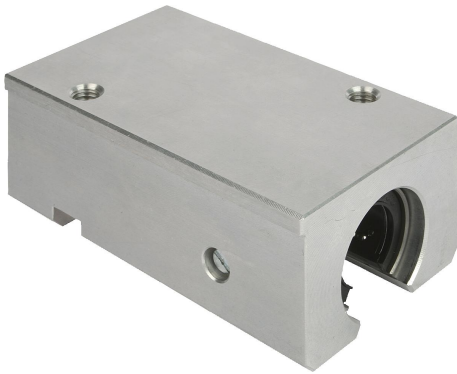


Item description/product images

**Description****Material:**

Housing aluminium

Version:

Housing bright.

Note:

Ready to install linear housing units consisting of an extruded aluminium housing with two self-aligning linear ball bearings 21510 and seals both sides. The bearings are secured in the housing with cap screws.

Recommended shaft tolerance: h6.

Load ratings according to the linear ball bearing specifications (x2).

On request:

Linear housing units can be equipped with any of our linear ball bearings.

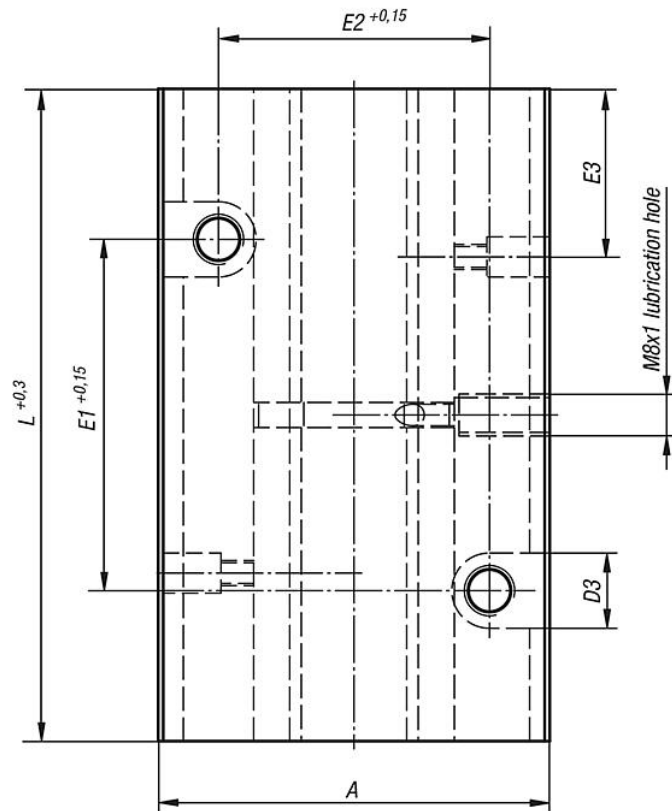
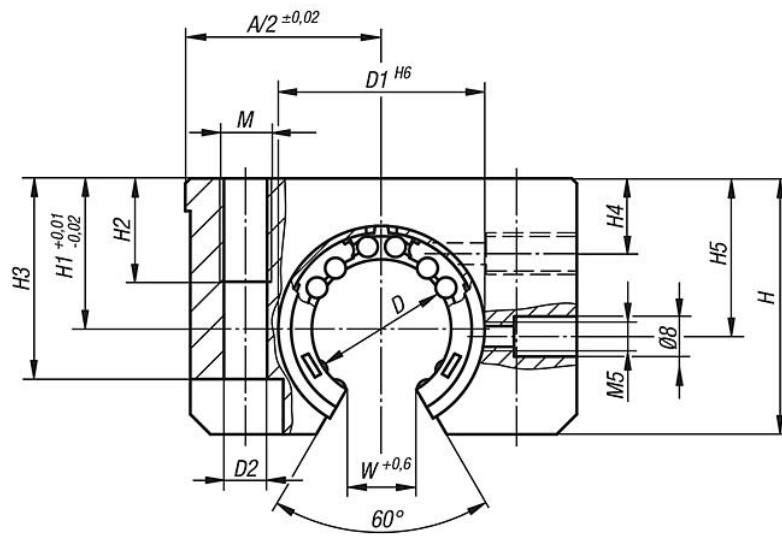
Accessory:

End seals 21560.

Precision guide shafts 21590 or 21595.

Fastening screws 07160 or 07161.

Drawings



Overview of items

Order No.	A	D	D1	D2	D3	E1	E2	E3	H	H1	H2	H3	H4	H5	L	M	W
21545-121012	43	12	22	5,2	10	40	30	19,5	30	18	13	25	8	16,65	76	M6	7
21545-161012	53	16	26	5,2	10	45	36	21,5	35	22	13	30	12	22	84	M6	9,4
21545-201012	60	20	32	6,8	11	55	45	27	42	25	18	34	13	25	104	M8	10,2
21545-251012	78	25	40	8,6	15	70	54	33,5	51	30	22	40	15	31,5	130	M10	12,9
21545-301012	87	30	47	10,3	18	85	62	39,5	60	35	26	48	16	33	152	M12	14,4
21545-401012	108	40	62	14,25	20	100	80	45	77	45	34	60	20	43,5	176	M16	18,2
21545-501012	132	50	75	14,25	20	125	100	56,5	88	50	34	49	20	47,5	224	M16	33

