

## Item description/product images

**Description****Material:**

Inner ring, outer ring and rolling elements, bearing steel.  
Cage, steel.

**Version:**

Series 302  
Series 303  
Series 320 (ISO dimension)

**Note:**

Tapered roller bearings can accept high radial and axial loads. Axial loads are absorbed in only one direction. For axial counter support a second bearing mounted inverse is required. Suitable for medium speeds.

The bearings are separable. This means the bearing parts can be fitted independently of each other. The bearings are supplied without seals. They can be lubricated with grease or oil from the side.

The main dimensions of the tapered roller bearings conform to DIN ISO 355 and DIN 720. Dimensional and running tolerances correspond to tolerance class PN acc. to DIN 620. These tolerance classes are standard and are well suited for most applications.

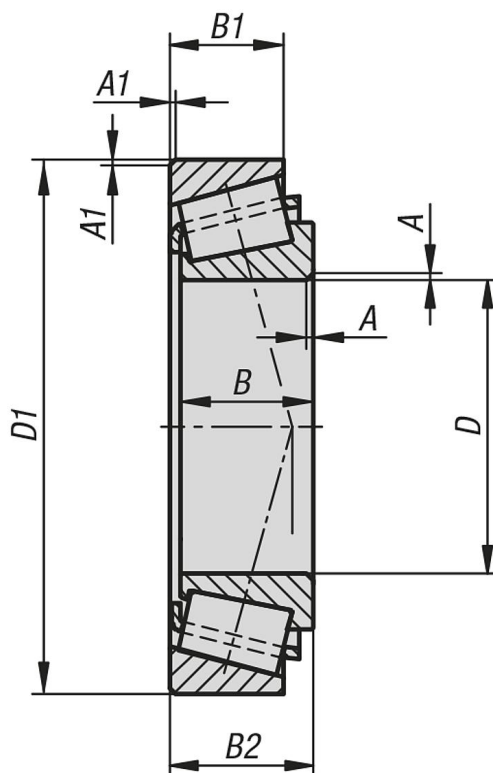
**Temperature range:**

-30 °C to +120 °C.

**On request:**

Other dimensions and versions.

Drawings



Overview of items

Order No.	Abbreviation	Form definition	D	D1	B	B1	B2	A	A1	Dynamic load rating N	Static load rating N	Speed limit rpm
23825-101504213	30302-A	Series 303	15	42	13	11	14,25	1	1	23000	20500	21000
23825-001704012	30203-A	Series 302	17	40	12	11	13,25	1	1	18500	17800	21000
23825-101704714	30303-A	Series 303	17	47	14	12	15,25	1	1	27500	24500	18200
23825-302004215	32004-X	Series 320 (ISO dimensions)	20	42	15	12	15	0,6	0,6	24000	28500	18200
23825-002004714	30204-A	Series 302	20	47	14	12	15,25	1	1	27000	27000	16800
23825-102005215	30304-A	Series 303	20	52	15	13	16,25	1,5	1,5	34000	32500	15400
23825-302504715	32005-X	Series 320 (ISO dimensions)	25	47	15	11,5	15	0,6	0,6	26500	33500	15400
23825-102506217	30305-A	Series 303	25	62	17	15	18,25	1,5	1,5	47000	45500	12600
23825-303005517	32006-X	Series 320 (ISO dimensions)	30	55	17	13	17	1	1	38500	46500	12600
23825-003006216	30206-A	Series 302	30	62	16	14	17,25	1	1	43500	48000	11900
23825-103007219	30306-A	Series 303	30	72	19	16	20,75	1,5	1,5	60000	61000	10500
23825-303506218	32007-X	Series 320 (ISO dimensions)	35	62	18	14	18	1	1	45500	57000	11200
23825-003507217	30207-A	Series 302	35	72	17	15	18,25	1,5	1,5	54000	59000	9800
23825-103508021	30307-A	Series 303	35	80	21	18	22,75	2	1,5	73000	75000	9400
23825-304006819	32008-XA	Series 320 (ISO dimensions)	40	68	19	14,5	19	1	1	53000	71000	9800
23825-004008018	30208-A	Series 302	40	80	18	16	19,75	1,5	1,5	61000	67000	8800
23825-104009023	30308-A	Series 303	40	90	23	20	25,25	2	1,5	91000	102000	7800
23825-304507520	32009-XA	Series 320 (ISO dimensions)	45	75	20	15,5	20	1	1	61000	86000	8800
23825-104510025	30309-A	Series 303	45	100	25	18	27,25	2	1,5	96000	108000	6700
23825-305008020	32010-X	Series 320 (ISO dimensions)	50	80	20	15,5	20	1	1	64000	93000	7800
23825-105011027	30310-A	Series 303	50	110	27	23	29,25	2,5	2	130000	148000	6300

