

Item description/product images



Description

Material:

Housing in aluminium.
Reflector in aluminium or white plastic.
Polyamide viewing lens.

Version:

Transparent viewing lens,
temperature-resistant with oil up to 100 °C,
with water up to 70 °C.
Flat seal, asbestos-free.

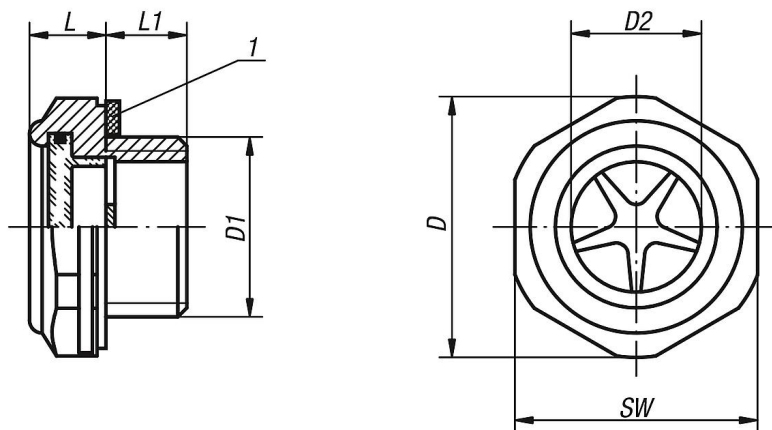
Note:

The G3/8" and M18x1.5 versions have a white plastic reflector.

Drawing reference:

1) flat seal

Drawings



Overview of items

Order No.	D	D1	D2	L	L1	SW	Tightening torque max. Nm	Pressure load max. bar
28010-20014	20	G1/4	11	8	8	17	4	10
28010-24038	24,1	G3/8	12,7	9,5	9	22	10	10
28010-29012	29,7	G1/2	15	10	9	27	15	10
28010-36034	35,2	G3/4	21,9	10	11	32	22	10
28010-42100	44,1	G1	25,1	11	11	40	-	10
28010-52114	55	G1 1/4	34	13,5	12	50	-	10
28010-241815	24,5	M18X1,5	13	10	9	22	12	10
28010-292215	29,5	M22X1,5	16	10	9	27	15	10

