

Item description/product images



Description

Material:

Housing thermoplastic polyamide.
O-ring NBR, Shore 70.
Reflector plastic.

Version:

Housing, transparent, high mechanical stability, non-ageing, temperature resistant up to 90 °C, resistant to solvents but not to alcohol or frost.
Reflector white.

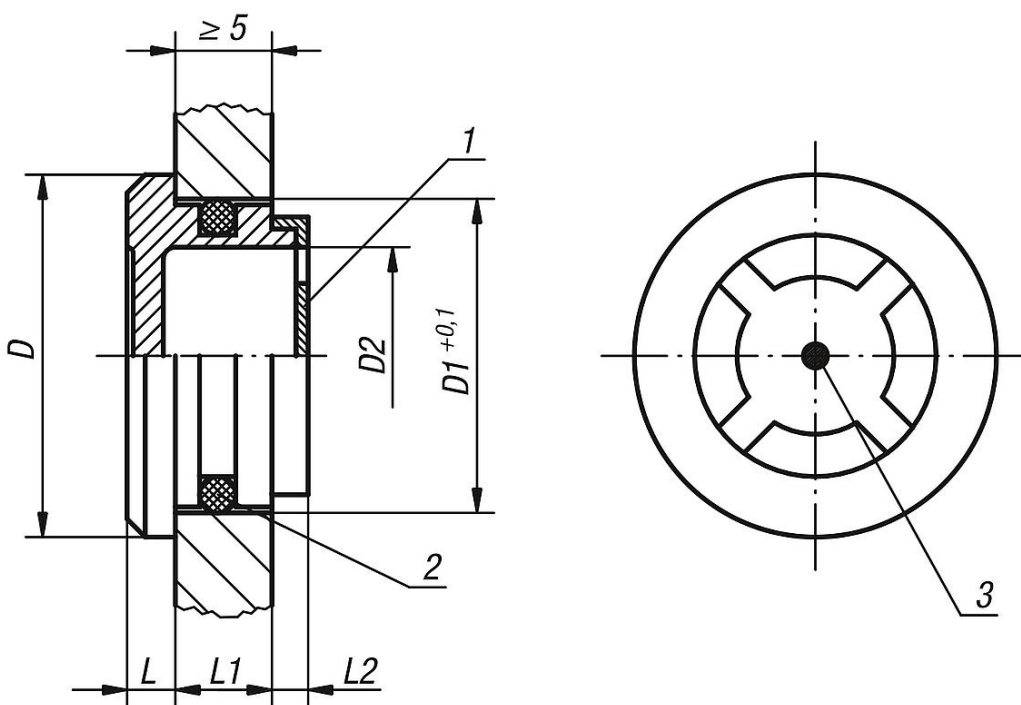
Note:

For use where there is no internal pressure.

Drawing reference:

- 1) reflector
- 2) O-ring
- 3) check mark

Drawings



Overview of items

Order No.	D	D1	D2	L	L1	L2
28006-2420	24	20	14	4	7	3
28006-3026	30	26	20	4	8	3,5
28006-3632	36	32	24	4	9	4
28006-4238	42	38	30	4	10	4
28006-4440	44	40	32	4	10	4

