

Item description/product images



Description

Material:

Steel.
Ball black thermoset PF 31.

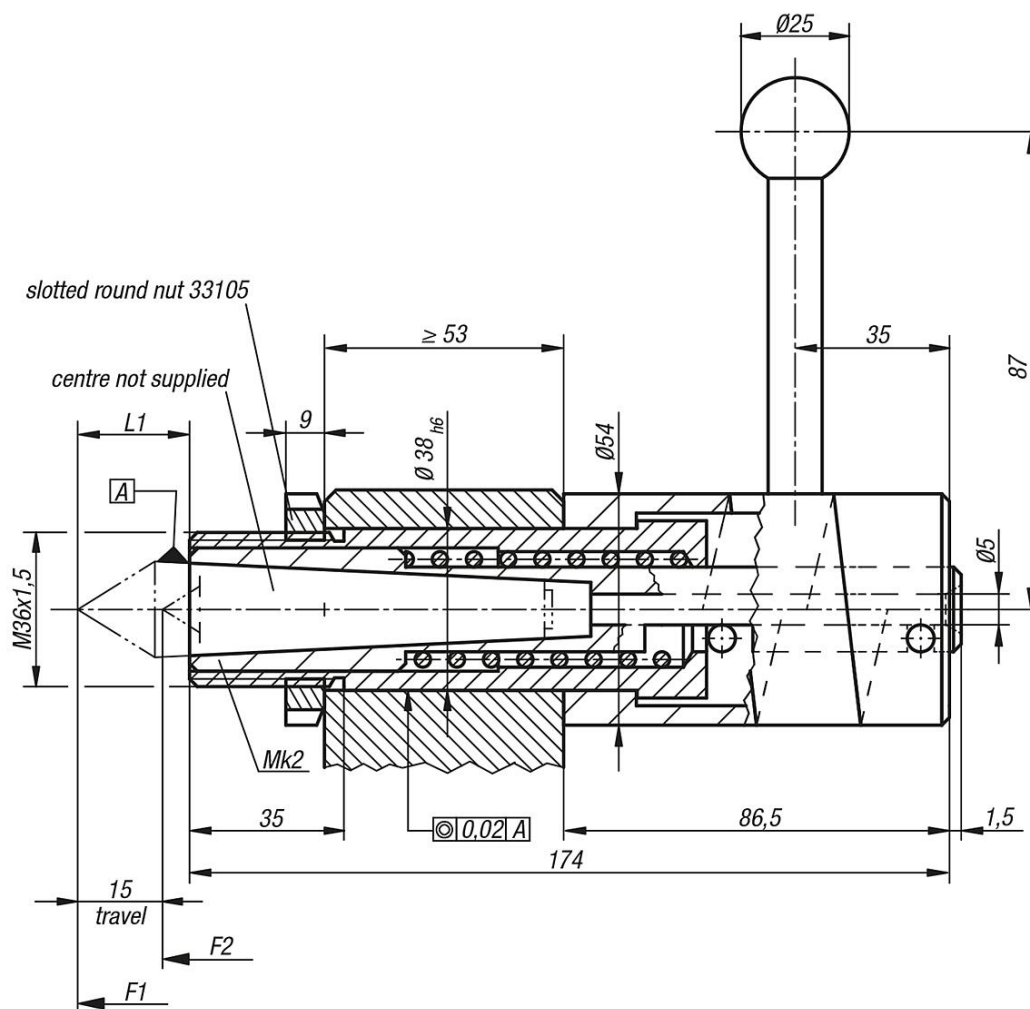
Version:

Black oxidised.

Note:

The max. travel of 15 mm is achieved by rotating the cam 180°.

Drawings



Overview of items

Order No.	L1	Matching fixed centre	Spring force initial pressure F1 approx. N	Final pressure F2 approx. N
33182-02	324149	33190-02096 33190-02113 33190-02105	100	137

