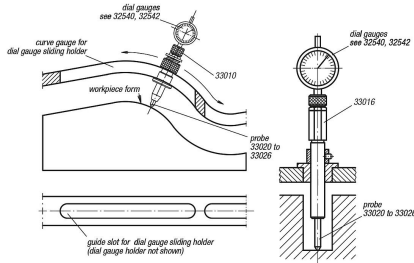


## Item description/product images



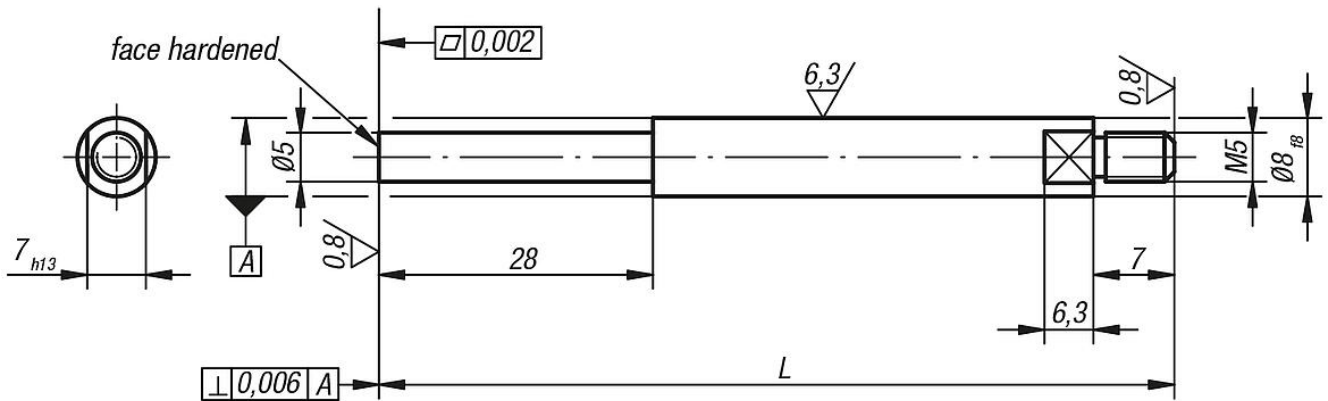
## Description

**Material:**  
Steel.

**Version:**  
Black oxidised.

**Note:**  
These probes are suitable for dial gauge holders 33010 to 33016.

## Drawings



## Overview of items

Order No.	L
33024-08080	80
33024-08100	100
33024-08160	160
33024-08250	250