

## Item description/product images

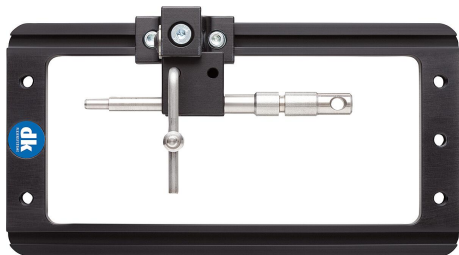
**Description**

**Material:**  
Aluminium.

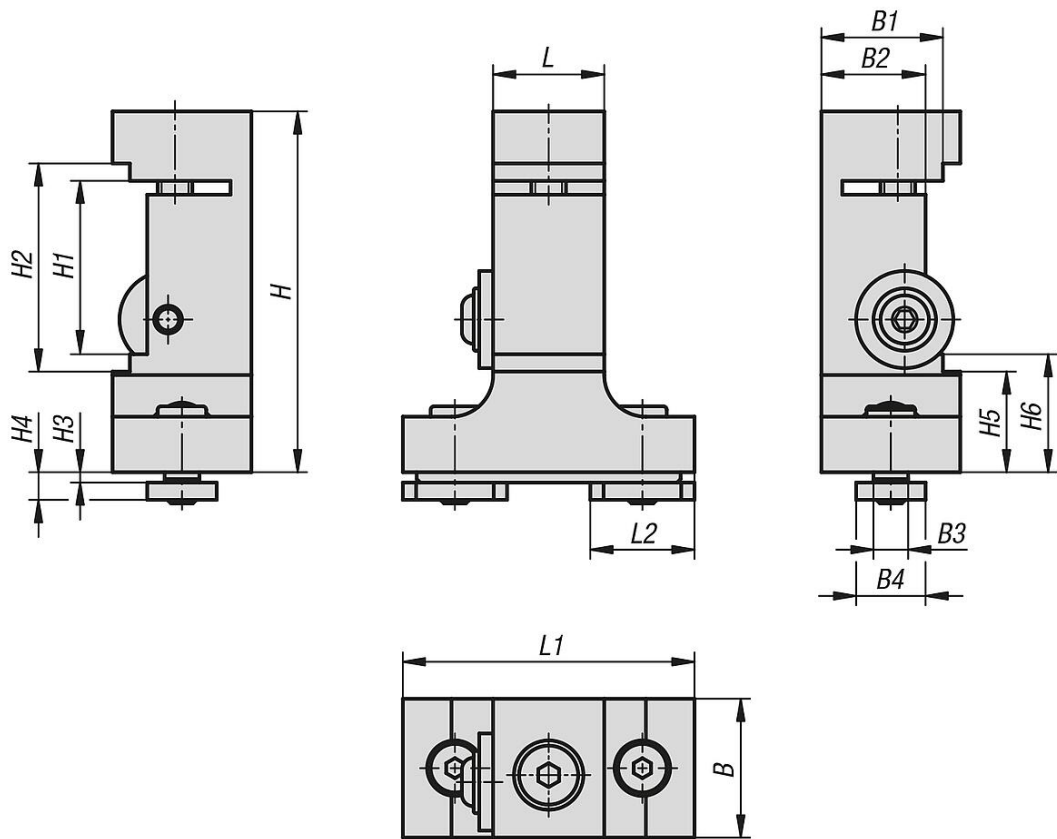
**Version:**  
hard-coated.

**Note:**  
The V-block holder can be quickly mounted on the pallet system 34022 via the T-slot attachment. It is used as a 90° holder for V-blocks 34023-02. These can be mounted onto the V-block holder in three different positions.

**Accessory:**  
Quick-change pallet system 34022.  
V-block 34023-02.



Drawings



Overview of items

V-block holder aluminium

Order No.	B	B1	B2	B3	B4	H	H1	H2	H3	H4	H5	H6	L	L1	L2
34023-05216	20	17,5	15	5	10	52	25	30	2,5	4	14,5	17	16	42	15