

Item description/product images



Description

Material:

Stainless steel 1.4404.

Version:

smooth polished or matt abrasive blasted.

Note for ordering:

Order the fastening material and end washers separately.

Assembly:

From the rear.

Accessory:

End washers 06922-11.

Washers 07300.

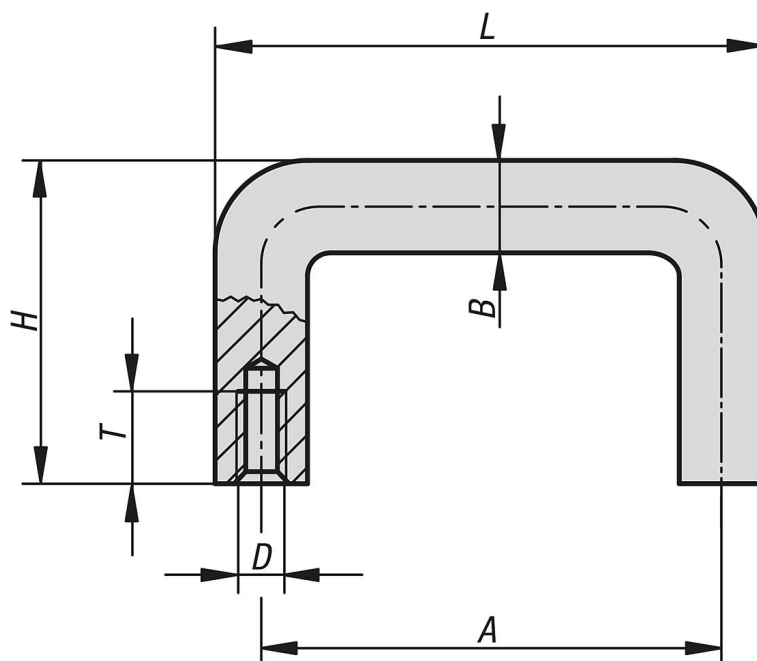
Washers 07305.

Hex head bolts 07171.

Screws 07174.

Cap screws 07160.

Drawings



Overview of items

Order No.	Surface finish body	A	B	D	H	L	T	Load capacity N
06922-10-030031	smooth polished	30	5	M3	24	35	6	500
06922-10-040031	smooth polished	40	5	M3	24	45	6	500
06922-10-030033	matt blasted	30	5	M3	24	35	6	500
06922-10-040033	matt blasted	40	5	M3	24	45	6	500
06922-10-030041	smooth polished	30	8	M4	32	38	8	500
06922-10-040041	smooth polished	40	8	M4	32	48	8	500

Overview of items

Order No.	Surface finish body	A	B	D	H	L	T	Load capacity N
06922-10-030043	matt blasted	30	8	M4	32	38	8	500
06922-10-040043	matt blasted	40	8	M4	32	48	8	500
06922-10-040051	smooth polished	40	10	M5	40	50	10	500
06922-10-040053	matt blasted	40	10	M5	40	50	10	500