

Item description/product images



Description

Material:

Pin stainless steel 1.4542.
 Shackle stainless steel 1.4571.
 Threaded element stainless steel 1.4542.
 Push button aluminium.
 Spring stainless steel.

Version:

Pin precipitation hardened.
 Threaded element precipitation hardened.
 Push button orange anodised.

Note:

Threaded hoist pins are used as a quick and simple lifting element with a swivelling shackle.

The threaded segment is unlocked by pressing the push button, and the threaded pin can then be inserted into or removed from the tapped hole. When the push button is released, the threaded segment locks securely. This eliminates time-consuming screwing in and unscrewing as by e.g. ring bolts.

The shackle can swivel through 180°. The safety strap on the shackle prevents the push-button being unintentionally pressed during linear tension.

The prerequisite for use is a precision tapped hole in a material with the appropriate strength.

Detailed operating instructions are enclosed with each threaded hoist pin.

Corrosion protected and weather resistant.

TÜV certified.

The specifications X min., F1, F2 and F3 are tested as per DIN EN 13155 with a test load equal to 3 times the nominal load.

Temperature range:

max. +250 °C.

Assembly:

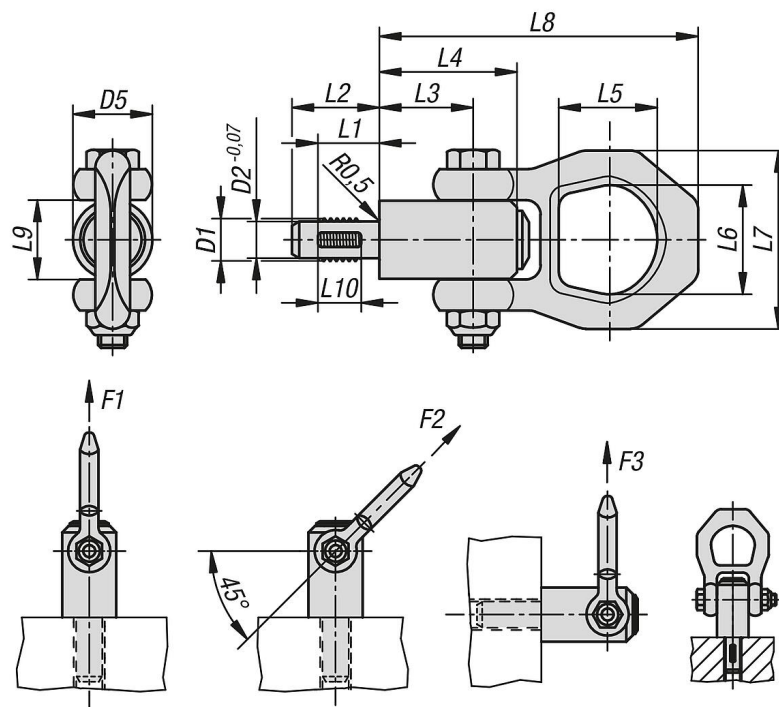
Installing:

1. Press the button and keep it pressed.
2. Insert the threaded hoist pin.
3. Release the button (the button should pop back out again).
4. Screw the threaded hoist pin in by hand until it lays completely on the contact face.
5. It should be ensured that the threaded segment is engaged in the receiving thread.

Removing:

1. Rotate the threaded hoist pin ca. a quarter turn anti-clockwise
2. Press the button and keep it pressed.
3. Remove the threaded hoist pin.
4. Release the button.

Drawings



Overview of items

Order No.	D1	D2	D5	L1	L2	L3	L4	L5	L6	L7	L8	L9	L10	F1 kN	F2 kN	F3 kN
07785-01-08	M8	6,62	21,5	12	17,8	25,7	36	27	30	49	87,5	21,5	8	2,1	0,9	0,8
07785-01-10	M10	8,35	21,5	14	20	25,7	36	27	30	49	87,5	21,5	10	3,9	1,5	1,5
07785-01-12	M12	10,07	21,5	17	24	25,7	36	27	30	49	87,5	21,5	12	6,2	2,5	2,3
07785-01-16	M16	13,8	21,5	17	24	25,7	36	27	30	49	87,5	21,5	12	8,4	4,5	4,2
07785-01-20	M20	17,25	30	22	30	36,5	52	32,6	36	56	114	26	17	16,6	7,7	5,8
07785-01-24	M24	20,7	36	27	36	42	60	50,6	49,8	82	152	36	22	23	11,1	8,6