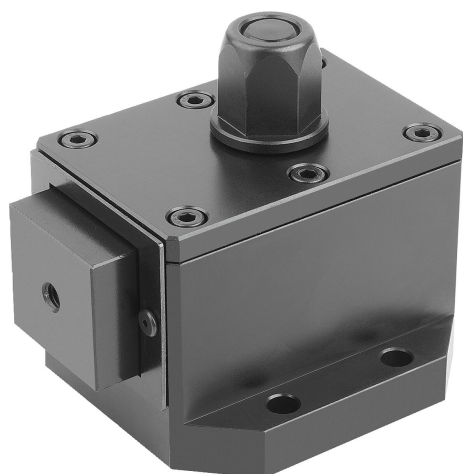


Item description/product images



**Description**

**Product description:**

These side clamps are highly suitable for automated clamping processes.

**Material:**

Carbon steel.

**Version:**

Tempered and black oxidised.

**Type of operation:**

Actuated using a hammer driver with adjustable torque or manually using a clamping key.

**Advantages:**

- Automation-compatible
- High clamping forces
- Rapid clamping

**Supplied with:**

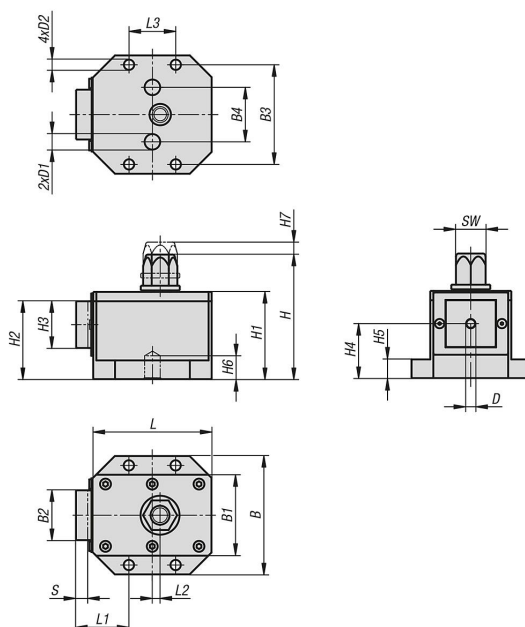
04579-10-0600: 2x locating pins  $\varnothing$  10 (h7) x 30.

04579-10-1000: 2x locating pins  $\varnothing$  16 (h7) x 30.

**Accessory:**

Grippers and inserts 07113.

Drawings



Overview of items

| Order No.     | B   | B1 | B2 | B3 | B4 | D     | D1 | D2  | H  | H1 | H2 | H3 | H4 | H5 | H6 | H7 | L   | L1   | L2 | L3 | SW | Travel S | Clamping force kN | Tightening torque max. Nm |
|---------------|-----|----|----|----|----|-------|----|-----|----|----|----|----|----|----|----|----|-----|------|----|----|----|----------|-------------------|---------------------------|
| 04579-10-0600 | 76  | 52 | 32 | 64 | 35 | M6x15 | 10 | 6,6 | 80 | 56 | 50 | 30 | 35 | 12 | 15 | 8  | 76  | 34   | 5  | 30 | 19 | 8        | 6                 | 27                        |
| 04579-10-1000 | 100 | 68 | 42 | 85 | 45 | M6x15 | 16 | 9   | 97 | 73 | 65 | 40 | 45 | 15 | 16 | 11 | 100 | 44,5 | 8  | 40 | 19 | 11       | 10                | 55                        |

