

Item description/product images

**Description****Material:**

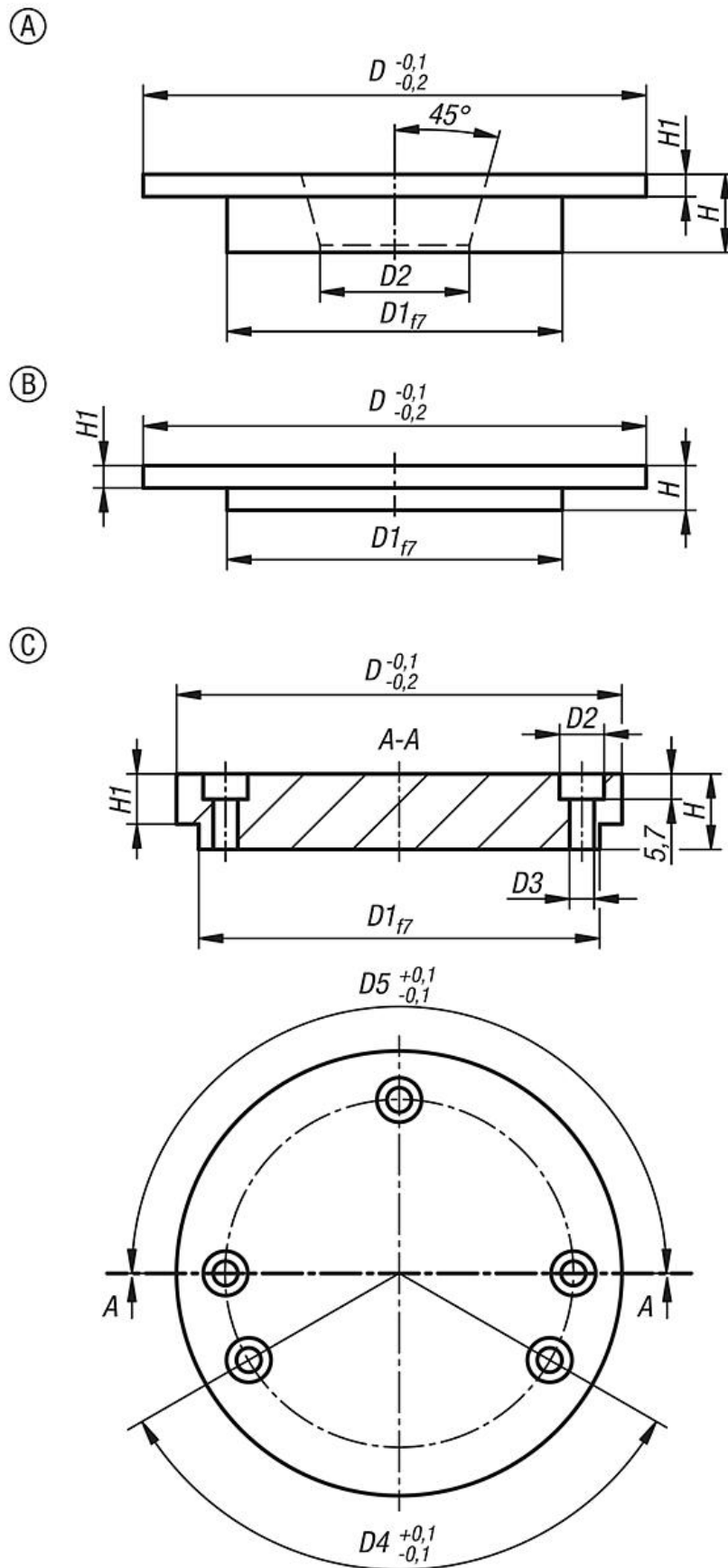
Centring flange QT steel 1.1191 or 1.1192.

Note:

The centring flange with bore is a high-quality component that can be used in tool and die making. This centring flange has a precise shoulder that facilitates easy alignment and positioning of tools or dies. The conical bore of the flange provides excellent guidance and ensures a secure connection between different parts.

The centring flange with shoulder is an outstanding choice for tool and die making applications that require precise alignment. This flange has a shoulder that facilitates the alignment of parts and ensures stable positioning.

The centring flange with shoulder and screw holes can be used in tool and die making where precise alignment, secure fastening and reliable positioning are essential. Its combination of precise functions and screw holes makes it highly versatile in various manufacturing applications.



Overview of items

Order No.	Form	Form definition	Steel code	D	D1	D2	D3	D4	D5	H	H1
03152-30-006008	A	with hole	1.1191	90	60	36	-	-	-	8	4
03152-30-006011	A	with hole	1.1191	90	60	26	-	-	-	11	4
03152-30-006013	A	with hole	1.1191	90	60	26	-	-	-	13	4
03152-30-006014	A	with hole	1.1191	90	60	26	-	-	-	14	4
03152-30-008012	A	with hole	1.1191	90	80	36	-	-	-	12	8
03152-30-008015	A	with hole	1.1191	90	80	26	-	-	-	15	8
03152-30-008017	A	with hole	1.1191	90	80	26	-	-	-	17	8
03152-30-009012	A	with hole	1.1191	90	90	36	-	-	-	12	8
03152-30-009015	A	with hole	1.1191	90	90	36	-	-	-	15	8
03152-30-009017	A	with hole	1.1191	90	90	36	-	-	-	17	8
03152-30-009018	A	with hole	1.1191	90	90	36	-	-	-	18	8
03152-30-009019	A	with hole	1.1191	90	90	36	-	-	-	19	8
03152-30-009021	A	with hole	1.1191	90	90	36	-	-	-	21	8,5
03152-30-010012	A	with hole	1.1191	100	90	36	-	-	-	12	8
03152-30-010015	A	with hole	1.1191	100	90	36	-	-	-	15	8
03152-30-010017	A	with hole	1.1191	100	90	36	-	-	-	17	8
03152-30-010019	A	with hole	1.1191	100	90	36	-	-	-	19	8
03152-30-010021	A	with hole	1.1191	100	90	36	-	-	-	21	8,5
03152-30-011012	A	with hole	1.1191	110	90	36	-	-	-	12	8
03152-30-011015	A	with hole	1.1191	110	90	36	-	-	-	15	8
03152-30-011017	A	with hole	1.1191	110	90	36	-	-	-	17	8
03152-30-011018	A	with hole	1.1191	110	90	36	-	-	-	18	8
03152-30-011019	A	with hole	1.1191	110	90	36	-	-	-	19	8
03152-30-011020	A	with hole	1.1191	110	90	36	-	-	-	20	8
03152-30-011021	A	with hole	1.1191	110	90	36	-	-	-	21	8,5
03152-30-012012	A	with hole	1.1191	120	90	36	-	-	-	12	8
03152-30-012015	A	with hole	1.1191	120	90	36	-	-	-	15	8
03152-30-012017	A	with hole	1.1191	120	90	36	-	-	-	17	8
03152-30-012018	A	with hole	1.1191	120	90	36	-	-	-	18	8
03152-30-012019	A	with hole	1.1191	120	90	36	-	-	-	19	8
03152-30-012020	A	with hole	1.1191	120	90	36	-	-	-	20	8
03152-30-012021	A	with hole	1.1191	120	90	36	-	-	-	21	8,5
03152-30-012512	A	with hole	1.1191	125	90	36	-	-	-	12	8
03152-30-012515	A	with hole	1.1191	125	90	36	-	-	-	15	8
03152-30-012517	A	with hole	1.1191	125	90	36	-	-	-	17	8
03152-30-012518	A	with hole	1.1191	125	90	36	-	-	-	18	8
03152-30-012519	A	with hole	1.1191	125	90	36	-	-	-	19	8
03152-30-012520	A	with hole	1.1191	125	90	36	-	-	-	20	8
03152-30-012521	A	with hole	1.1191	125	90	36	-	-	-	21	8,5
03152-30-013012	A	with hole	1.1191	130	90	36	-	-	-	12	8
03152-30-014012	A	with hole	1.1191	140	90	36	-	-	-	12	8
03152-30-015012	A	with hole	1.1191	150	90	36	-	-	-	12	8
03152-30-016012	A	with hole	1.1191	160	90	36	-	-	-	12	8
03152-30-016015	A	with hole	1.1191	160	90	36	-	-	-	15	8
03152-30-016017	A	with hole	1.1191	160	90	36	-	-	-	17	8
03152-30-016018	A	with hole	1.1191	160	90	36	-	-	-	18	8
03152-30-016019	A	with hole	1.1191	160	90	36	-	-	-	19	8
03152-30-016020	A	with hole	1.1191	160	90	36	-	-	-	20	8
03152-30-016021	A	with hole	1.1191	160	90	36	-	-	-	21	8,5
03152-30-017512	A	with hole	1.1191	175	90	36	-	-	-	12	8
03152-30-017515	A	with hole	1.1191	175	90	36	-	-	-	15	8
03152-30-017517	A	with hole	1.1191	175	90	36	-	-	-	17	8
03152-30-017518	A	with hole	1.1191	175	90	36	-	-	-	18	8
03152-30-017519	A	with hole	1.1191	175	90	36	-	-	-	19	8
03152-30-017520	A	with hole	1.1191	175	90	36	-	-	-	20	8
03152-30-017521	A	with hole	1.1191	175	90	36	-	-	-	21	8,5
03152-30-018012	A	with hole	1.1191	180	90	36	-	-	-	12	8
03152-30-020012	A	with hole	1.1191	200	90	36	-	-	-	12	8
03152-30-025012	A	with hole	1.1191	250	90	36	-	-	-	12	8
03152-30-106008	B	with seating	1.1191	90	60	-	-	-	-	8	4
03152-30-106011	B	with seating	1.1191	90	60	-	-	-	-	11	4
03152-30-106013	B	with seating	1.1191	90	60	-	-	-	-	13	4
03152-30-106014	B	with seating	1.1191	90	60	-	-	-	-	14	4
03152-30-108012	B	with seating	1.1191	90	80	-	-	-	-	12	8
03152-30-108015	B	with seating	1.1191	90	80	-	-	-	-	15	8

Overview of items

Order No.	Form	Form definition	Steel code	D	D1	D2	D3	D4	D5	H	H1
03152-30-108017	B	with seating	1.1191	90	80	-	-	-	-	17	8
03152-30-110012	B	with seating	1.1191	100	90	-	-	-	-	12	8
03152-30-110015	B	with seating	1.1191	100	90	-	-	-	-	15	8
03152-30-110017	B	with seating	1.1191	100	90	-	-	-	-	17	8
03152-30-110018	B	with seating	1.1191	100	90	-	-	-	-	18	8
03152-30-110019	B	with seating	1.1191	100	90	-	-	-	-	19	8
03152-30-110021	B	with seating	1.1191	100	90	-	-	-	-	21	8,5
03152-30-111012	B	with seating	1.1191	110	90	-	-	-	-	12	8
03152-30-111015	B	with seating	1.1191	110	90	-	-	-	-	15	8
03152-30-111017	B	with seating	1.1191	110	90	-	-	-	-	17	8
03152-30-111018	B	with seating	1.1191	110	90	-	-	-	-	18	8
03152-30-111019	B	with seating	1.1191	110	90	-	-	-	-	19	8
03152-30-111020	B	with seating	1.1191	110	90	-	-	-	-	20	8
03152-30-111021	B	with seating	1.1191	110	90	-	-	-	-	21	8,5
03152-30-112012	B	with seating	1.1191	120	90	-	-	-	-	12	8
03152-30-112015	B	with seating	1.1191	120	90	-	-	-	-	15	8
03152-30-112017	B	with seating	1.1191	120	90	-	-	-	-	17	8
03152-30-112018	B	with seating	1.1191	120	90	-	-	-	-	18	8
03152-30-112019	B	with seating	1.1191	120	90	-	-	-	-	19	8
03152-30-112020	B	with seating	1.1191	120	90	-	-	-	-	20	8
03152-30-112021	B	with seating	1.1191	120	90	-	-	-	-	21	8,5
03152-30-112512	B	with seating	1.1191	125	90	-	-	-	-	12	8
03152-30-112515	B	with seating	1.1191	125	90	-	-	-	-	15	8
03152-30-112517	B	with seating	1.1191	125	90	-	-	-	-	17	8
03152-30-112518	B	with seating	1.1191	125	90	-	-	-	-	18	8
03152-30-112519	B	with seating	1.1191	125	90	-	-	-	-	19	8
03152-30-112520	B	with seating	1.1191	125	90	-	-	-	-	20	8
03152-30-112521	B	with seating	1.1191	125	90	-	-	-	-	21	8,5
03152-30-114012	B	with seating	1.1191	140	90	-	-	-	-	12	8
03152-30-115012	B	with seating	1.1191	150	90	-	-	-	-	12	8
03152-30-116012	B	with seating	1.1191	160	90	-	-	-	-	12	8
03152-30-116015	B	with seating	1.1191	160	90	-	-	-	-	15	8
03152-30-116017	B	with seating	1.1191	160	90	-	-	-	-	17	8
03152-30-116018	B	with seating	1.1191	160	90	-	-	-	-	18	8
03152-30-116019	B	with seating	1.1191	160	90	-	-	-	-	19	8
03152-30-116020	B	with seating	1.1191	160	90	-	-	-	-	20	8
03152-30-116021	B	with seating	1.1191	160	90	-	-	-	-	21	8,5
03152-30-117512	B	with seating	1.1191	175	90	-	-	-	-	12	8
03152-30-117515	B	with seating	1.1191	175	90	-	-	-	-	15	8
03152-30-117517	B	with seating	1.1191	175	90	-	-	-	-	17	8
03152-30-117518	B	with seating	1.1191	175	90	-	-	-	-	18	8
03152-30-117519	B	with seating	1.1191	175	90	-	-	-	-	19	8
03152-30-117520	B	with seating	1.1191	175	90	-	-	-	-	20	8
03152-30-117521	B	with seating	1.1191	175	90	-	-	-	-	21	8,5
03152-30-120012	B	with seating	1.1191	200	90	-	-	-	-	12	8
03152-30-125012	B	with seating	1.1191	250	90	-	-	-	-	12	8
03152-30-210017	C	with seating and hole	1.1192	100	90	10	5,5	78	82	17	8
03152-30-211019	C	with seating and hole	1.1192	110	90	10	5,5	78	98	19	8
03152-30-212512	C	with seating and hole	1.1192	125	90	10	5,5	78	104	12	8
03152-30-212517	C	with seating and hole	1.1192	125	90	10	5,5	78	104	17	8
03152-30-212519	C	with seating and hole	1.1192	125	90	10	5,5	78	104	19	8
03152-30-212521	C	with seating and hole	1.1192	125	90	10	5,5	78	104	21	8
03152-30-216021	C	with seating and hole	1.1192	160	90	10	5,5	78	128	21	8