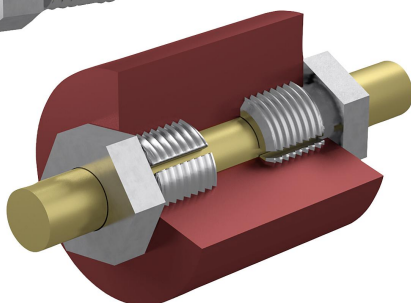
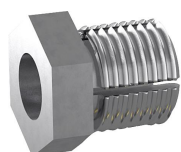
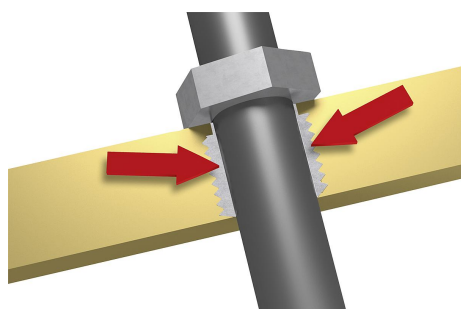
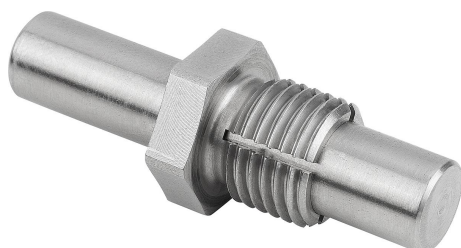
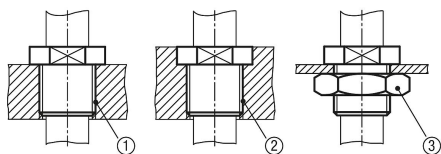


Item description/product images

**Description****Material:**

Stainless steel 1.4301 or aluminium.

Version:

Bright.

Note:

Various installation versions are possible. Shafts, rods and tubes should have an h9 OD tolerance. An even surface pressure develops across the entire thread pitch.

Application:

The threaded clamping bushes are used to clamp shafts, rods, tubes, etc. without damaging the surface.

Advantages:

- Compact design
- Versatile use
- Arbitrary mounting position
- Easy handling
- Quick clamping and precise positioning
- Clamping without surface damage
- Clamping in thin plates
- Reusable

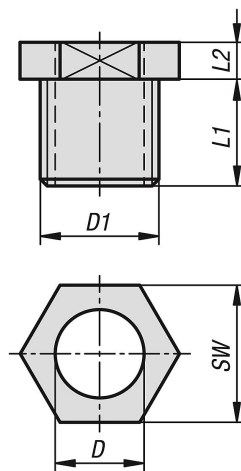
Drawing reference:

- 1) Mounting via thread with collar contact
- 2) Mounting via thread with sunken collar
- 3) Mounting in thin-walled plate with hex. nut

Item description/product images



Drawings



Overview of items

Order No.	Main material	D	D1	L1	L2	SW
03351-041	stainless steel	4	M6	7	5	10
03351-051	stainless steel	5	M8	10	5	12
03351-061	stainless steel	6	M10	10	5	13
03351-081	stainless steel	8	M12x1,5	10	5	15
03351-101	stainless steel	10	M14x1,5	12	5	17
03351-121	stainless steel	12	M16x1,5	12	6	19
03351-161	stainless steel	16	M20x1,5	12	7	24
03351-042	aluminium	4	M6	7	5	10
03351-052	aluminium	5	M8	10	5	12
03351-062	aluminium	6	M10	10	5	13
03351-082	aluminium	8	M12x1,5	10	5	15
03351-102	aluminium	10	M14x1,5	12	5	17
03351-122	aluminium	12	M16x1,5	12	6	19
03351-162	aluminium	16	M20x1,5	12	7	24