

## Item description/product images



## Description

**Material:**

Steel.

**Version:**

Grade 10.

Plastic-coated, red.

**Note:**

Fitted with smooth-running plain bearings. Not suitable for swivelling while under load.

When lifting the load, the safety latch closes automatically and is securely locked by a locking mechanism at the rear of the hook. To open the latch, the locking mechanism must be unlocked manually.

The swivel hooks correspond to the Machinery Directive and are BG certified (H stamp).

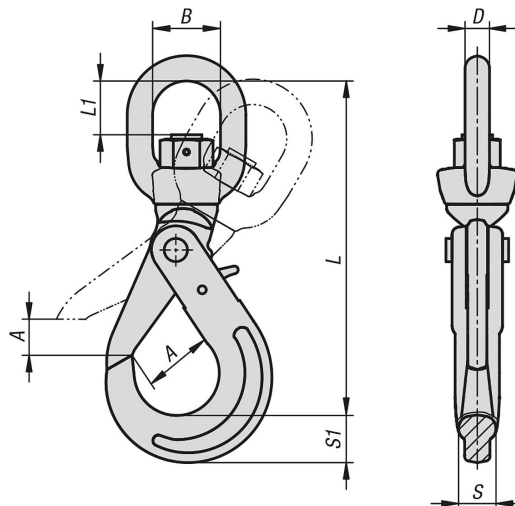
**Temperature range:**

From -40°C to 200°C = 100% permissible load

Up to 300°C = 90% permissible load

Up to 400°C = 75% permissible load

## Drawings



## Overview of items

| Order No.      | for chain mm | A  | B  | D  | L   | L1 | S  | S1 | Permissible load kg |
|----------------|--------------|----|----|----|-----|----|----|----|---------------------|
| 07794-11001400 | 6            | 28 | 36 | 13 | 158 | 27 | 16 | 21 | 1400                |
| 07794-11002500 | 7-8          | 34 | 36 | 13 | 182 | 27 | 20 | 26 | 2500                |
| 07794-11004000 | 10           | 45 | 42 | 16 | 217 | 35 | 25 | 30 | 4000                |
| 07794-11006700 | 13           | 54 | 50 | 21 | 271 | 43 | 35 | 40 | 6700                |
| 07794-11010000 | 16           | 62 | 62 | 24 | 320 | 58 | 38 | 50 | 10000               |

