

Item description/product images



Description

Material:

Steel.

Version:

Case-hardened and black oxidised.

Note:

This is a quick-action side clamp where workpieces are clamped by rotating a cam wheel which exerts pressure on the swivel jaw, simultaneously producing a positive down force.

Using the stop screw and centring bush (see diagram), the side clamp can be mounted and positioned on a modular grid system.

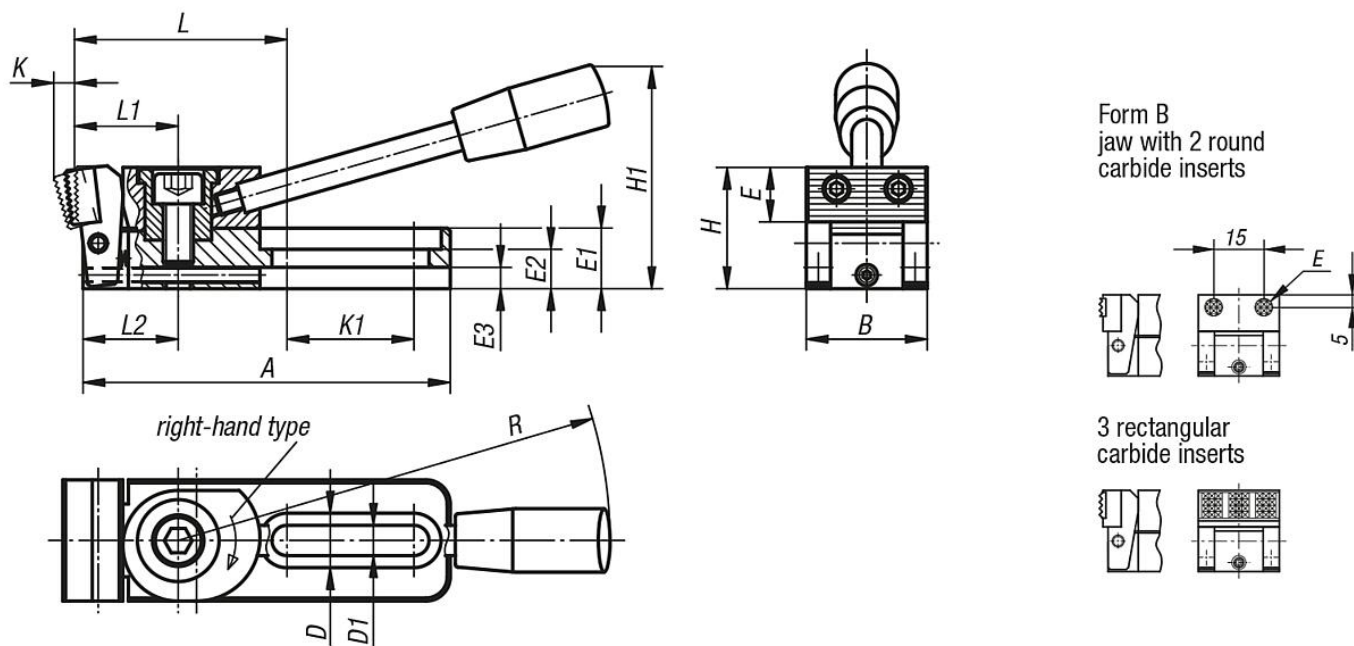
The versions 04516-006010, 04516-006015, 04516-006030 and 04516-006035 have 2 round carbide inserts.

Clamping force:

04516-006... = 3800 N

04516-010... = 7200 N

Drawings



Overview of items

| Order No. | Form | Version 1 | A | B | D | D1 | E | E1 | E2 | E3 | H | H1 | K | K1 | L | L1 | L2 | R | F=Retaining force N |
|--------------|------|-----------|-------|----|----|------|------|----|----|----|----|----|-----|----|------|----|------|-----|---------------------|
| 04516-006010 | B | right | 78 | 25 | 12 | 6,2 | ø8 | 12 | 8 | 4 | 24 | 45 | 3,5 | 26 | 46,5 | 22 | 20 | 110 | 3800 |
| 04516-010010 | B | right | 121,5 | 40 | 18 | 10,2 | 12,7 | 20 | 13 | 7 | 39 | 74 | 5,5 | 42 | 73 | 35 | 31,5 | 143 | 7200 |
| 04516-006030 | B | left | 78 | 25 | 12 | 6,2 | ø8 | 12 | 8 | 4 | 24 | 45 | 3,5 | 26 | 46,5 | 22 | 20 | 110 | 3800 |
| 04516-010030 | B | left | 121,5 | 40 | 18 | 10,2 | 12,7 | 20 | 13 | 7 | 39 | 74 | 5,5 | 42 | 73 | 35 | 31,5 | 143 | 7200 |

Overview of items
