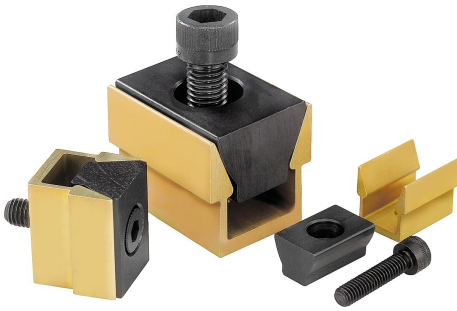


Item description/product images



Description

Material:

Channel aluminium profile.
Wedge hardened steel.

Version:

Channel anodised.
Wedge black oxidised.

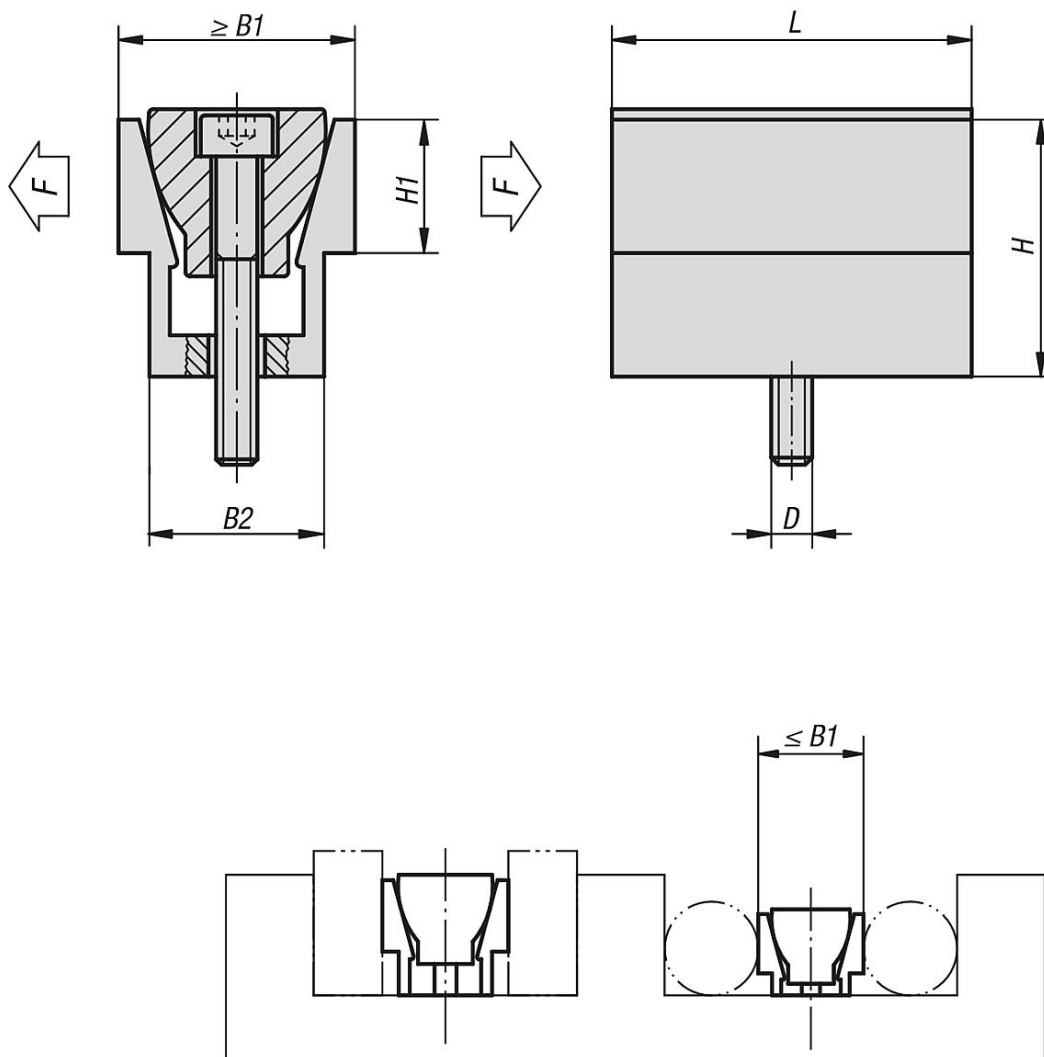
Note:

Two workpieces can be held simultaneously with the wedge clamp. They are ideal for clamping round or rectangular pieces. The compact design allows space-saving series clamping.

Drawing reference:

In clamped position dimension B1 max. given in the table should be achieved.

Drawings



Overview of items

Order No.	D	L	B1 min. - max.	B2	H	H1	Clamping force max. kN	Tightening torque max. Nm
04522-04	M4	15,9	12,3 - 13,1	10,4	12,7	5,6	2,2	3,4
04522-06	M6	23,8	18,6 - 19,9	16,1	19	9,5	6,7	14,3
04522-08	M8	31,7	24,8 - 26,6	20,8	25,4	12,7	8,9	14,5
04522-12	M12	47,6	37,3 - 39,7	30,8	38,1	19	15,6	38,4
04522-16	M16	63,5	49,7 - 52,8	41,2	50,8	25,4	26,7	74,6