

## Item description/product images



## Description

**Material:**

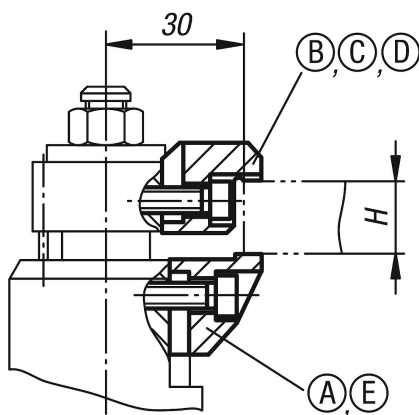
Steel.

**Version:**

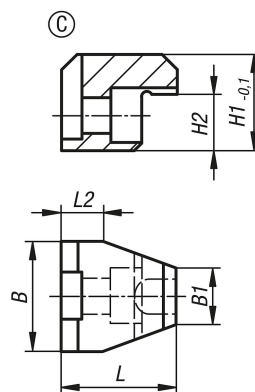
Nitrided and black oxidised.

**Note:**

The clamping jaws can be used for floating clamps to increase the clamping range.



## Drawings



Order No.	H = clamping range max. in combination with 04422-90000 [mm]	H = clamping range max. in combination with 04422-910000 [mm]
04422-90416	4-16	-
04422-91527	15-27	-
04422-92638	26-38	-
04422-90029	29	23
04422-90040	40	34

## Overview of items

Order No.	Form	Version 1	B	B1	H clamping range	H1	H2	L	L2
04422-90416	C	exchange upper jaw	28	15	4-16	24,5	3,5	29,5	11,5
04422-91527	C	exchange upper jaw	28	15	15-27	24,5	14,5	29,5	11,5
04422-92638	C	exchange upper jaw	28	15	26-38	35,5	25,5	29,5	11,5