

## Item description/product images



## Description

**Material:**

Carbon steel.

**Version:**

Pins tempered and ground.

Knurled knob tempered, black oxidised.

**Note:**

The clamping pin length must be adapted to the workpiece by the customer.

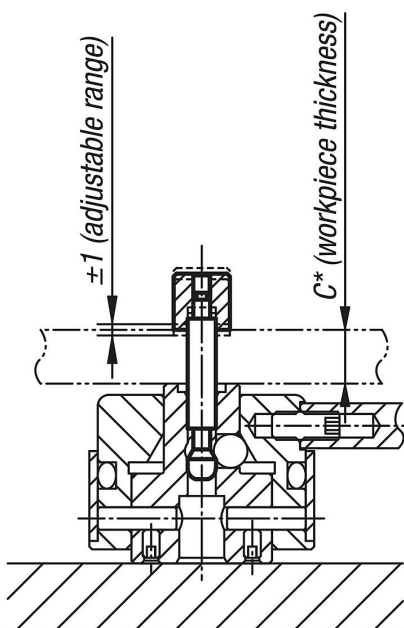
Dimension C defines the length of the clamping pin before machining.

The dimension C must be adapted by the customer to suit the thickness of the workpiece.

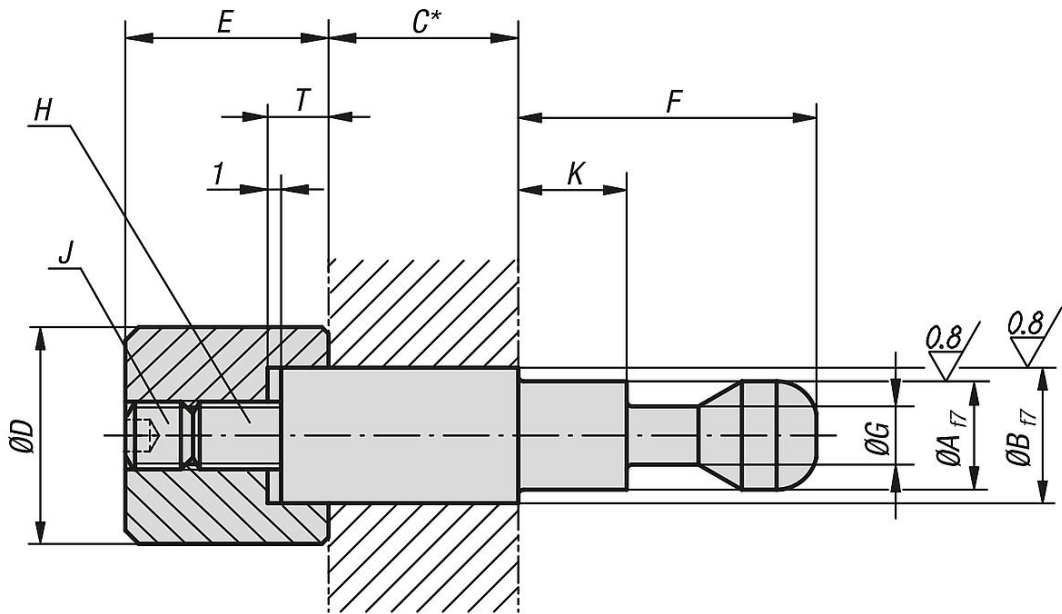
Afterwards, a thread with dimension J must be cut into the clamping pin.

The assembly drawing must be observed to determine the length of the clamping pin.

After machining the clamping pin to the correct overall length, the knurled knob is attached to the clamping pin using the two grub screws and locked.



Drawings



Overview of items

| Order No.    | A  | B  | C   | D  | E  | F  | G   | H   | J      | K    | T | Suitable for |
|--------------|----|----|-----|----|----|----|-----|-----|--------|------|---|--------------|
| 04400-412100 | 12 | 12 | 100 | 18 | 23 | 38 | 6,5 | M8  | M8x8   | 21,5 | 7 | 04400-506501 |
| 04400-416100 | 12 | 16 | 100 | 24 | 23 | 38 | 6,5 | M8  | M8x8   | 21,5 | 7 | 04400-506501 |
| 04400-516120 | 16 | 16 | 120 | 24 | 29 | 48 | 9,5 | M10 | M10x10 | 28   | 9 | 04400-638001 |
| 04400-520120 | 16 | 20 | 120 | 30 | 29 | 48 | 9,5 | M10 | M10x10 | 28   | 9 | 04400-638001 |