

Item description/product images

**Description****Material:**

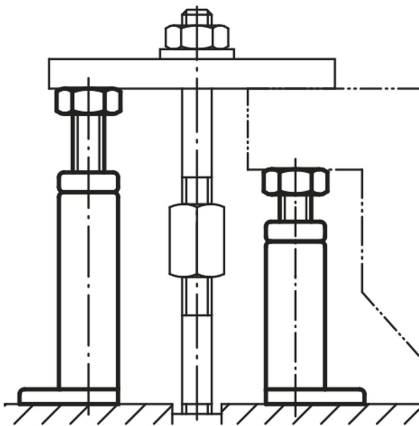
Carbon steel.

Version:

Hammertone, spindle with 30 x 6 trapezoidal thread.

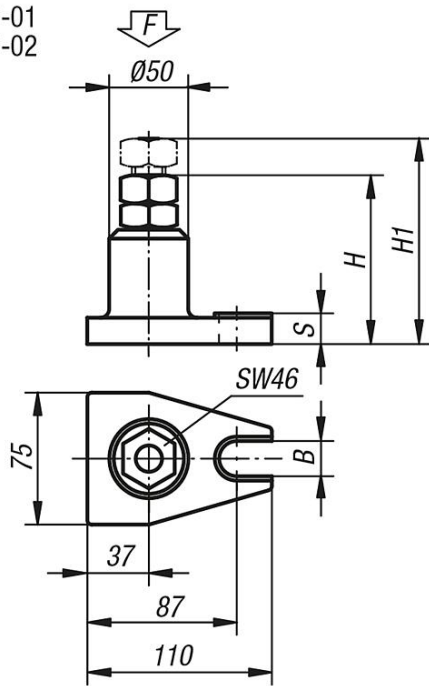
Drawing reference:

1) centring hole for 02210

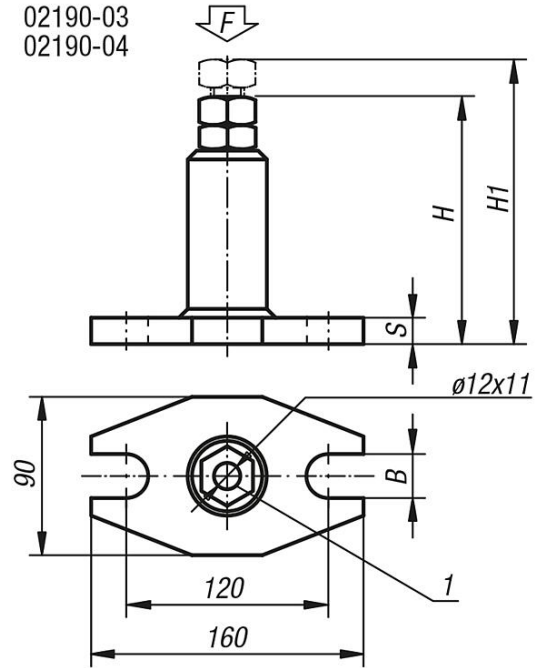


Drawings

02190-01
02190-02



02190-03
02190-04



Overview of items

| Order No. | Adjustment range | base plate | H | H1 | B | S | F kN |
|-----------|------------------|------------|-----|-----|----|----|---------|
| 02190-01 | 100 - 140 | 76x111 | 100 | 140 | 18 | 17 | 60 |
| 02190-02 | 140 - 200 | 76x111 | 140 | 200 | 18 | 17 | 60 |
| 02190-03 | 200 - 320 | 90x160 | 200 | 320 | 22 | 22 | 40 |
| 02190-04 | 320 - 540 | 90x160 | 320 | 540 | 22 | 25 | 25 |