

## Item description/product images



## Description

**Material:**

Steel.

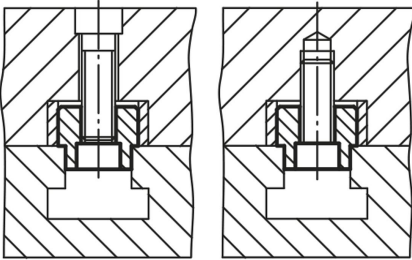
**Version:**

Case-hardened, black oxidised and ground.

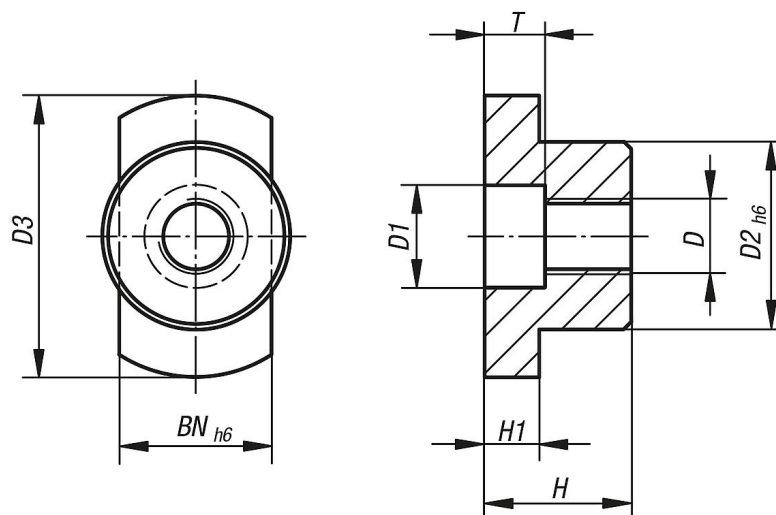
**Note:**

To align fixtures and clamping elements on subplates and palettes with location holes.

They can be mounted in holes or slots.



## Drawings



## Overview of items

| Order No. | BN=Slot width | D  | D1 | D2 | D3 | H    | H1  | T   |
|-----------|---------------|----|----|----|----|------|-----|-----|
| 03270-10  | 10            | M8 | 11 | 20 | 30 | 15,5 | 5,8 | 6,4 |
| 03270-12  | 12            | M8 | 11 | 20 | 30 | 15,5 | 5,8 | 6,4 |
| 03270-14  | 14            | M8 | 11 | 20 | 30 | 15,5 | 5,8 | 6,4 |
| 03270-16  | 16            | M8 | 11 | 20 | 30 | 15,5 | 5,8 | 6,4 |
| 03270-18  | 18            | M8 | 11 | 20 | 30 | 15,5 | 5,8 | 6,4 |
| 03270-20  | 20            | M8 | 11 | 20 | 36 | 15,5 | 5,8 | 6,4 |
| 03270-22  | 22            | M8 | 11 | 20 | 40 | 15,5 | 5,8 | 6,4 |

